

*R3 & R2 MANUAL*

*cervélo*

**velo**

# TABLE OF CONTENTS

Introduction.....	1
Frame Features.....	2
Fork Preparation.....	3
Small Parts.....	5
Frame Preparation.....	6
Mechanical Cable Routing.....	7
Electric Cable Routing.....	9
Seatpost Assembly & Installation.....	11
Frame Protection Installation.....	13
Tire Clearance.....	14

## INTRODUCTION

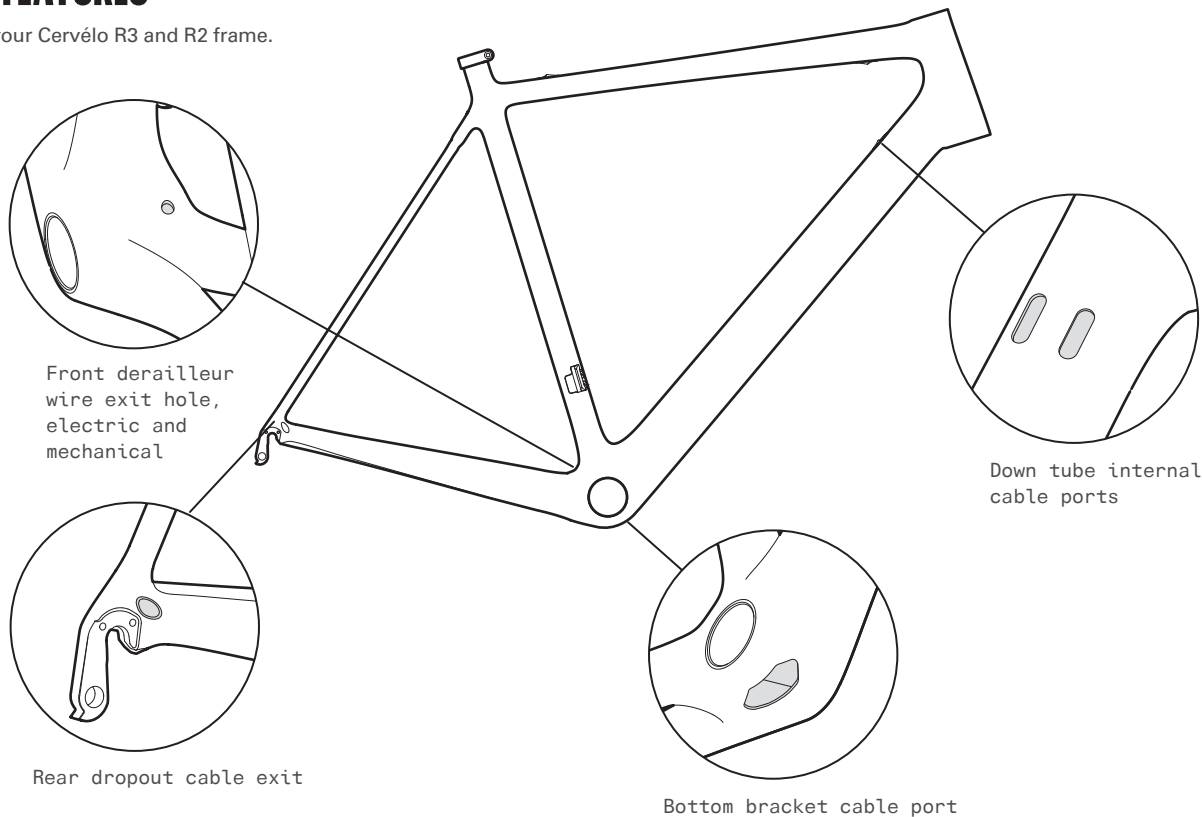
Welcome to the Cervélo family, and congratulations on your decision to ride an R Series bicycle. The ultra-lightweight engineering of your Cervélo R Series classic road bike will help you attack any climb, and enjoy speed and control on descents. The understated design allows performance to shine through with a settled ride that lets you respond to the road.

As with the ownership of any high-performance vehicle, it is important to familiarize yourself with its features and service requirements. Please read this manual before assembly or use.

This document has been prepared to guide you through the assembly of the unique features of the R Series, but is intended only as a supplement to the assembly instructions offered by your component manufacturer.

# FRAME FEATURES

A guide to your Cervélo R3 and R2 frame.



# FORK PREPARATION

A. Stem Cap + 5mm bolt

B. Headset Spacers

C. Bearing Cap

D. Compression Ring

E. Bearings

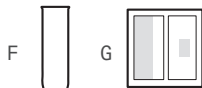
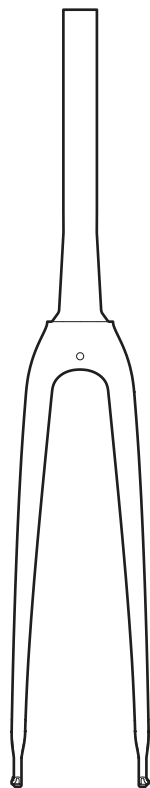
F. Fork Insert

G. Two-Part Epoxy

H. Mixing Stick

I. Isopropyl Alcohol Wipe

J. Sandpaper (120 Grit)

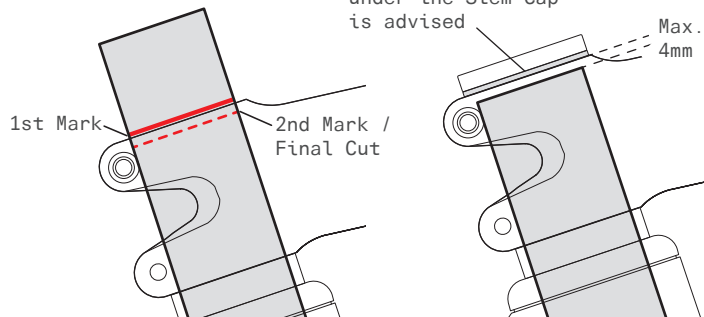


1. Apply grease to the bearing seats, and Install the upper & lower headset bearings into the head tube.
2. Fit the fork provided with your frame into the head tube with the complete headset, required spacers, and the stem.
3. Apply the minimum pressure needed to ensure the assembly is fully seated. Mark the steerer tube at the top of the stem.
4. Remove fork and clearly mark the fork steerer tube at a point 4mm below the first mark. Take care to verify that this measurement is correct as this defines the cut line for the steerer tube.

**▲ Your Cervélo frame & fork have been designed to work together. Do not substitute a different size fork without first consulting Cervélo Customer Service to confirm compatibility with your frame.**

**▲ Avoid breathing the dust created during cutting carbon composite materials.**

A 2.5mm spacer under the Stem Cap is advised

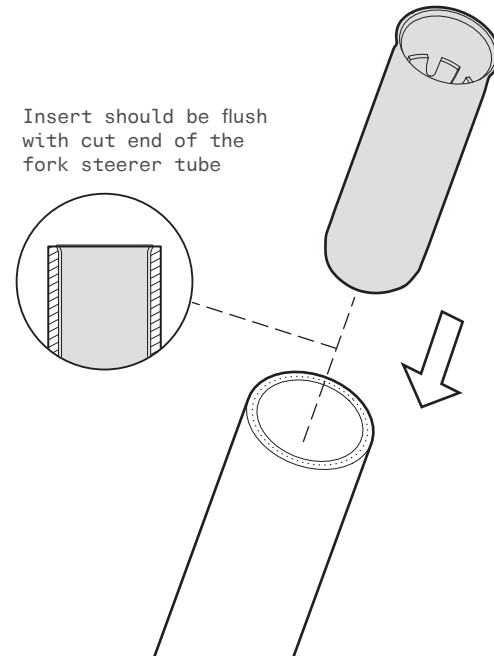


5. To trim fork steerer, use only a saw suitable for cutting carbon, and a cutting guide.
6. Carefully sand a bevel to the inside of the cut end of the steerer tube to fit the insert.
7. Dry fit insert to check that it is flush with the cut end of the steerer tube.
8. Use isopropyl alcohol to clean the inside of the steerer tube and the outside of the insert.
9. Fully mix the two-part epoxy and apply to the outer surface of the insert with the wooden mixing stick.
10. Slide the insert into the steerer while rotating it slowly until the flared end sits flush with the top of the steerer.
11. Wipe away any excess glue from the outside surface of the steerer tube with the isopropyl alcohol wipe.
12. Set the fork aside and allow it to sit undisturbed for the full curing period.

▲ **Do not attempt to fit the fork into a bike prior to the completion of the full curing period.**

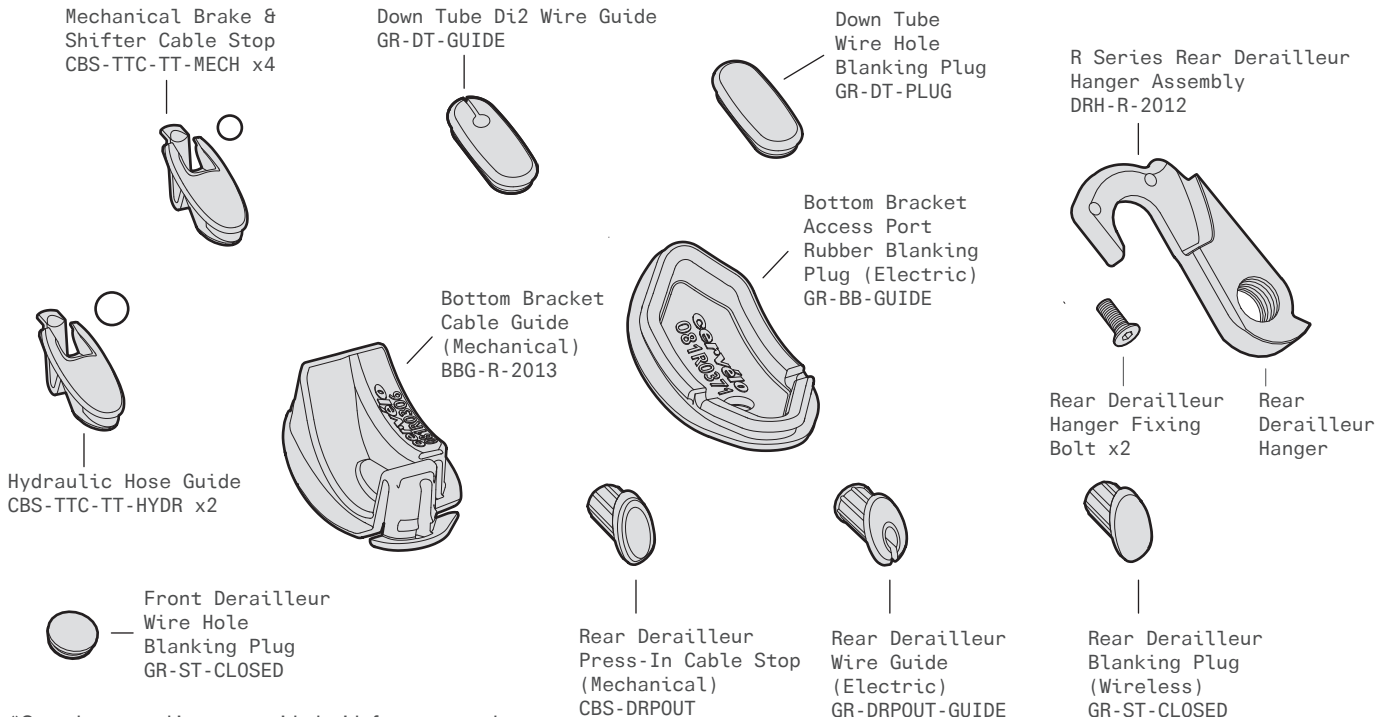
▲ **Improper cutting of the steerer tube could cause a failure that results in severe injury or death.**

▲ **Do not exceed 50 mm maximum total spacer height, including the bearing cap.**



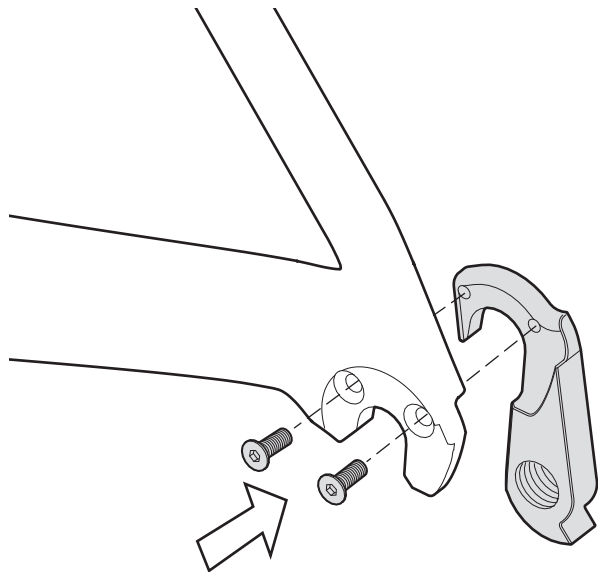
# SMALL PARTS

Designed to accommodate electronic, mechanical and hydraulic controls, the R3 and R2 frames are engineered to provide seamless integration of all shifting systems, regardless of method or brand. In order to do so, you will require the parts shown below\*:

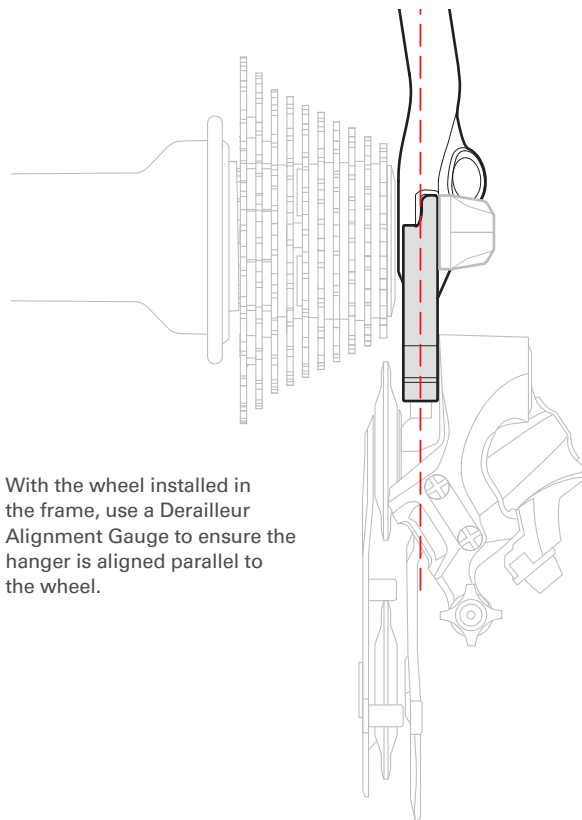


\*Complete parts kits are provided with framesets only.

# FRAME PREPARATION



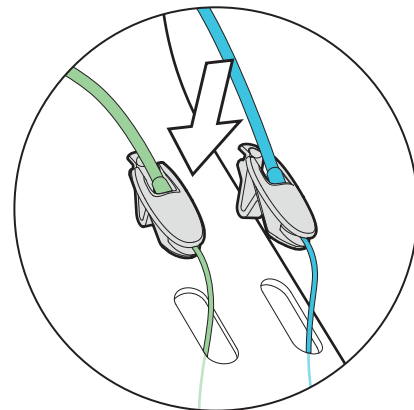
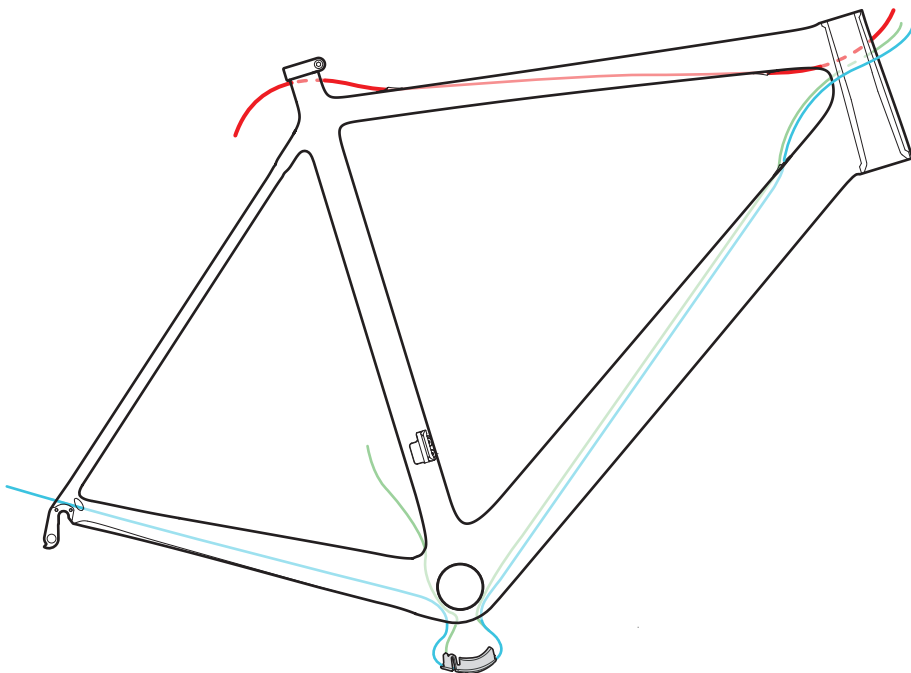
Apply Loctite 242 to the fixing screws, and tighten the screws equally to a maximum of 1 Nm.



With the wheel installed in the frame, use a Derailleur Alignment Gauge to ensure the hanger is aligned parallel to the wheel.

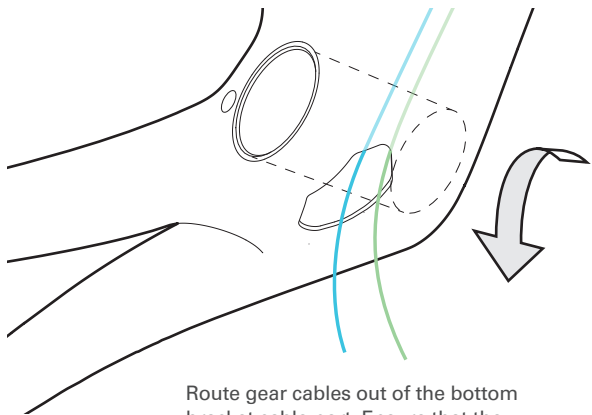
# MECHANICAL CABLE ROUTING

It is recommended that front and rear derailleurs cables be installed after the brake hose has been installed. These routing illustrations are intended as a supplement to the manufacturer's installation instructions only. Please refer to the component manufacturer's service center or website for further information.

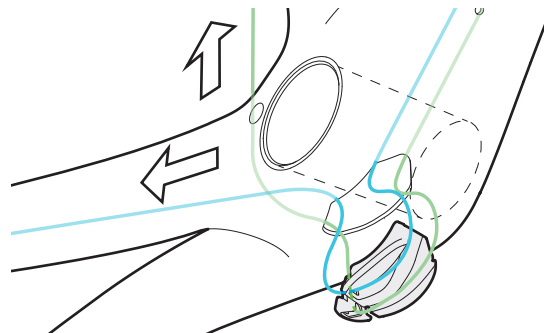


Install cable housing (with ferrules) into individual Mechanical Brake & Shifter Cable Stop until the housing rests securely in the pockets. Route cables to bottom bracket, ensuring they are not twisted together.

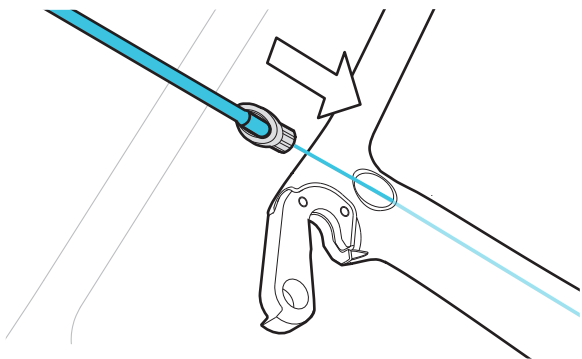




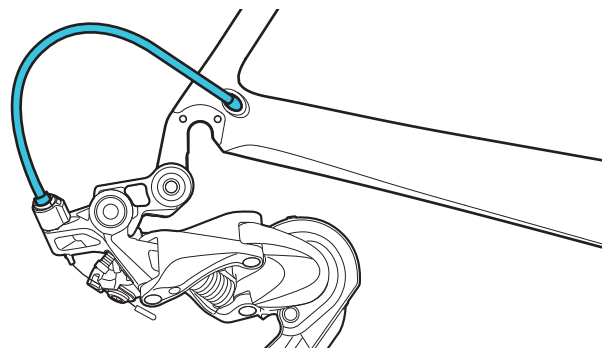
Route gear cables out of the bottom bracket cable port. Ensure that the cables are not twisted together.



The front cable travels across the non-drive side slot, and in the direction of the seat tube. The rear cable travels along the drive side slot, and along the chain stay. When complete, snap Bottom Bracket Cable Guide into place.



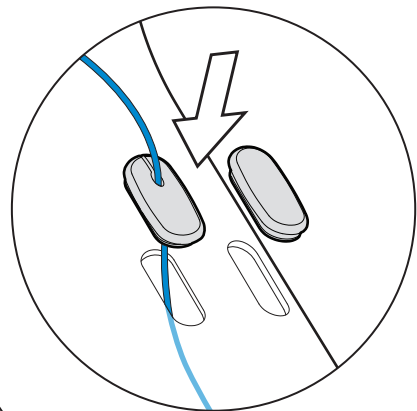
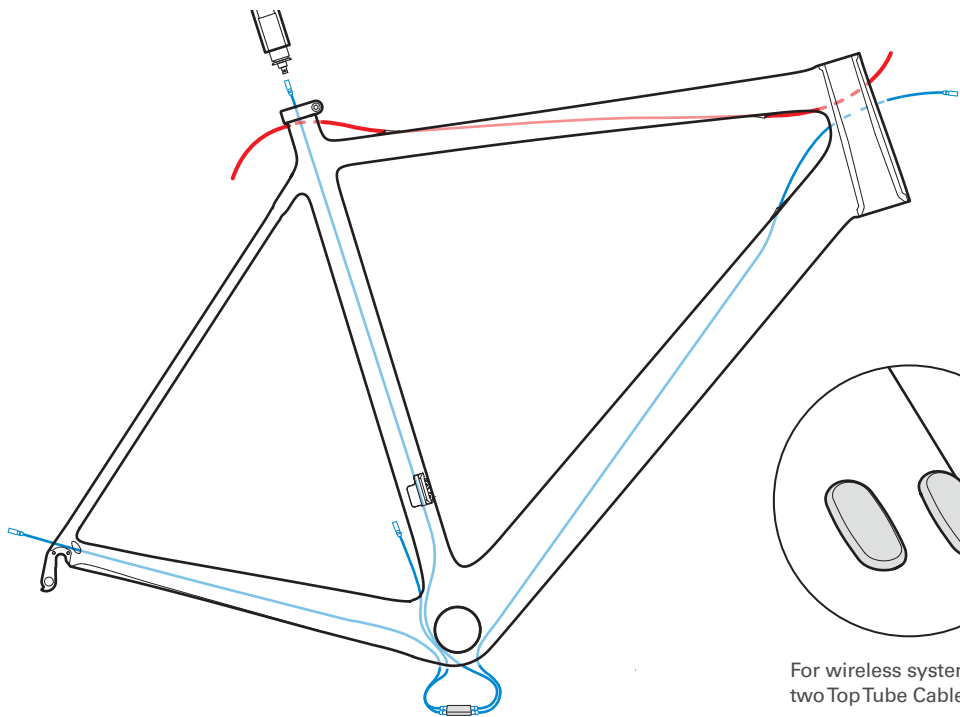
Install Rear Derailleur Press-In Cable Stop.



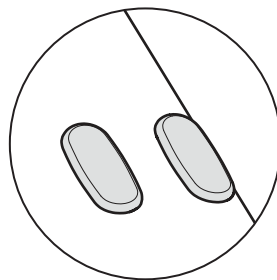
As per manufacturer's instructions, install rear derailleur on rear derailleur hanger, cut appropriate housing length, and attach cable.

# ELECTRIC CABLE ROUTING

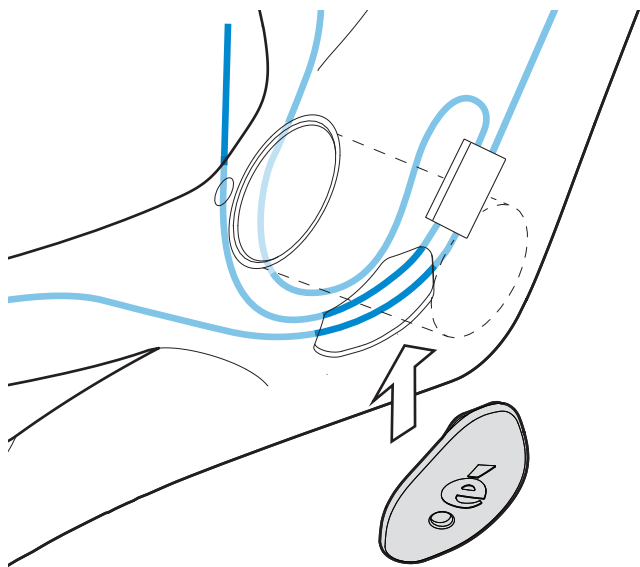
It is recommended that electric cabling and junction points be installed after the brake hose has been installed. These routing illustrations are intended as a supplement to the manufacturer's installation instructions only. Please refer to the component manufacturer's service center or website for further information.



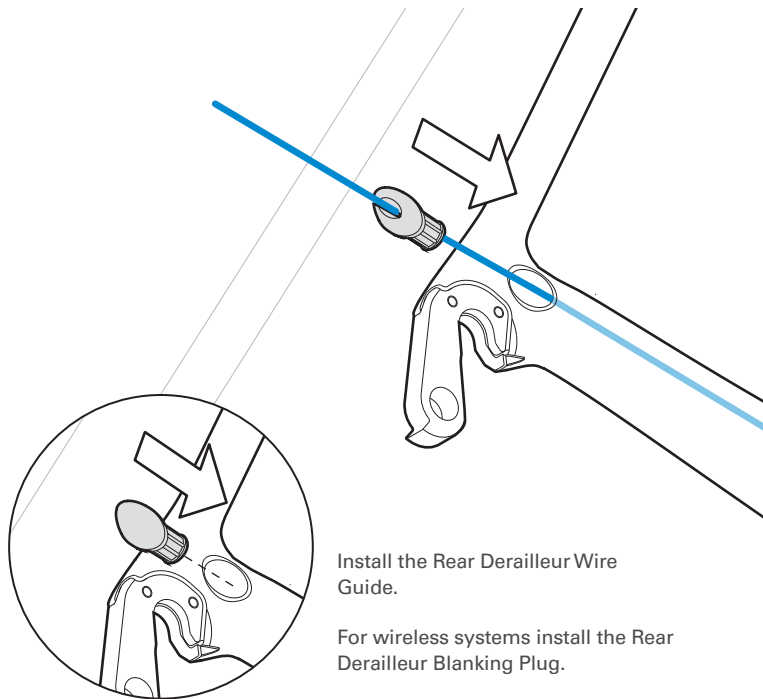
Route Di2 wire to the bottom bracket through the Down Tube Di2 Wire Guide. Seal remaining cable port with the Top Tube Cable Plug.



For wireless systems use two Top Tube Cable Plugs.



With all wires inside, cap the bottom bracket access port with the Bottom Bracket Access Port Rubber Blanking Plug.

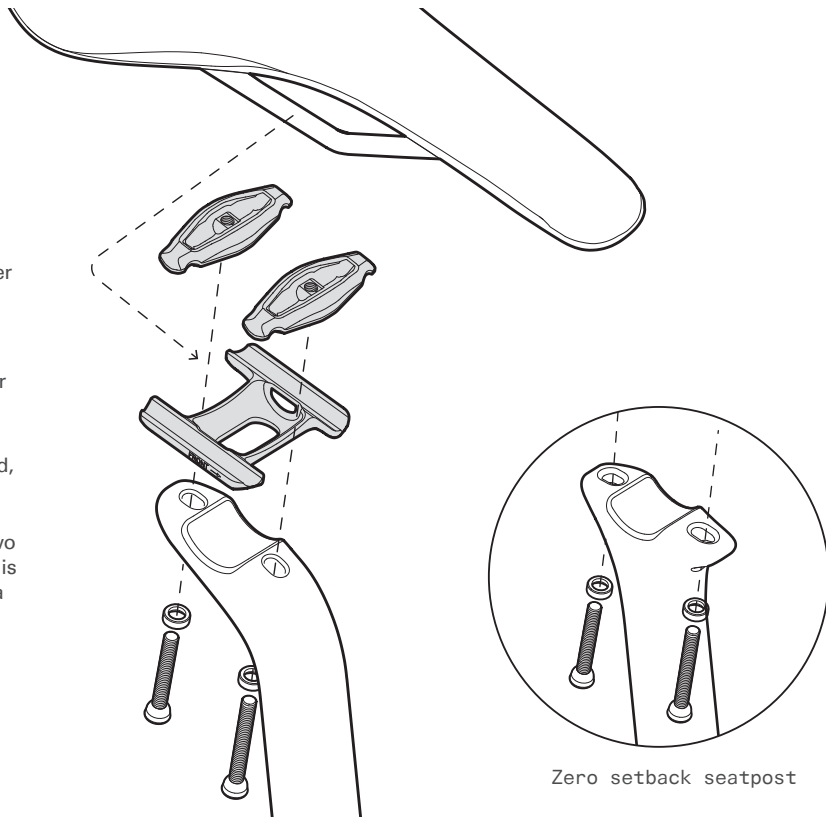


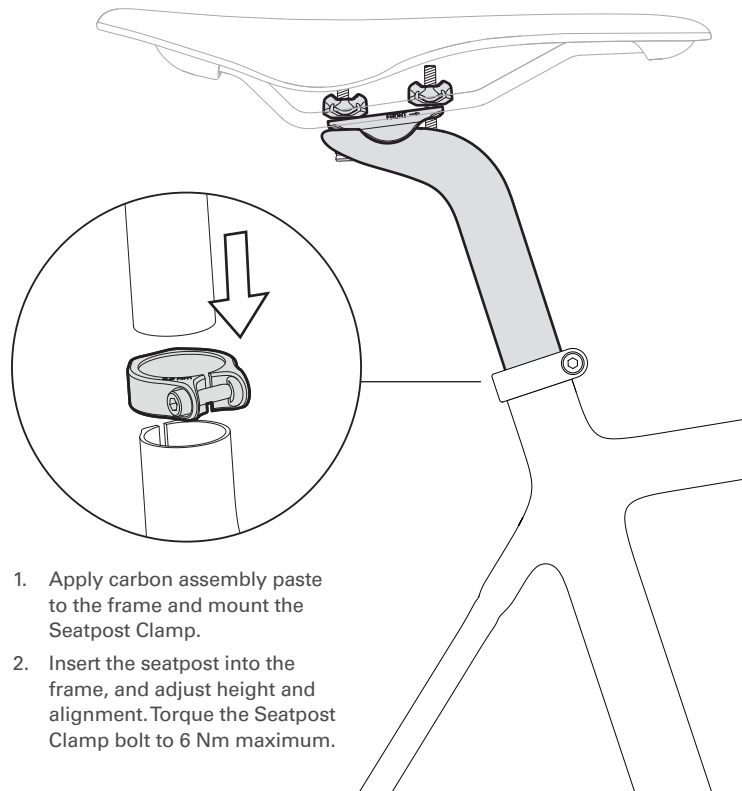
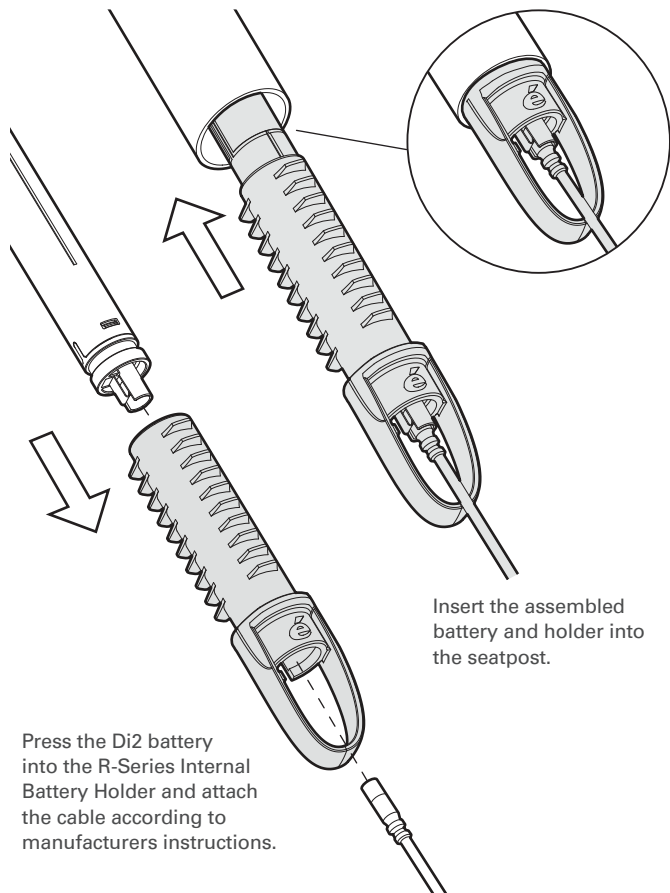
Install the Rear Derailleur Wire Guide.

For wireless systems install the Rear Derailleur Blanking Plug.

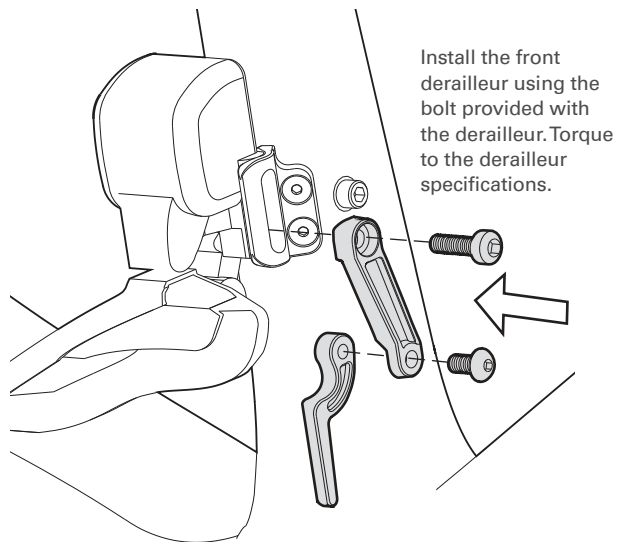
# SEATPOST ASSEMBLY & INSTALLATION

1. Apply a light coat of carbon assembly compound to the upper face of the Seatpost, making sure to cover area around the adjustment slots.
2. Locate saddle rail between upper and lower clamps, and place on Seatpost.
3. With alignment washers installed, attach assembly to Seatpost, by tightening lightly greased fixing bolts, alternating between the two sides each 1/2 turn. Once saddle is adjusted, tighten fixing bolts to a maximum of 8 Nm.

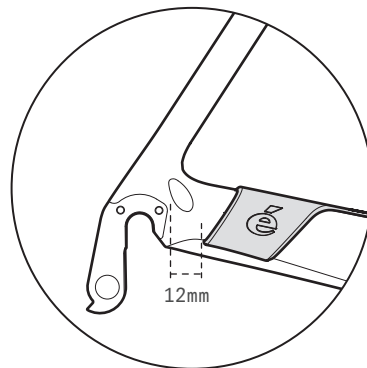
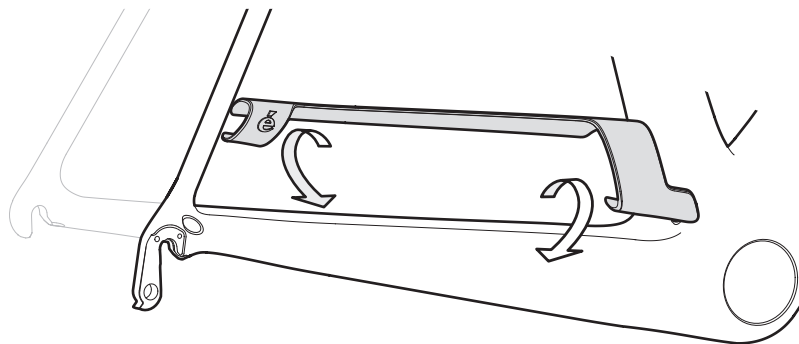




# FRAME PROTECTION INSTALLATION



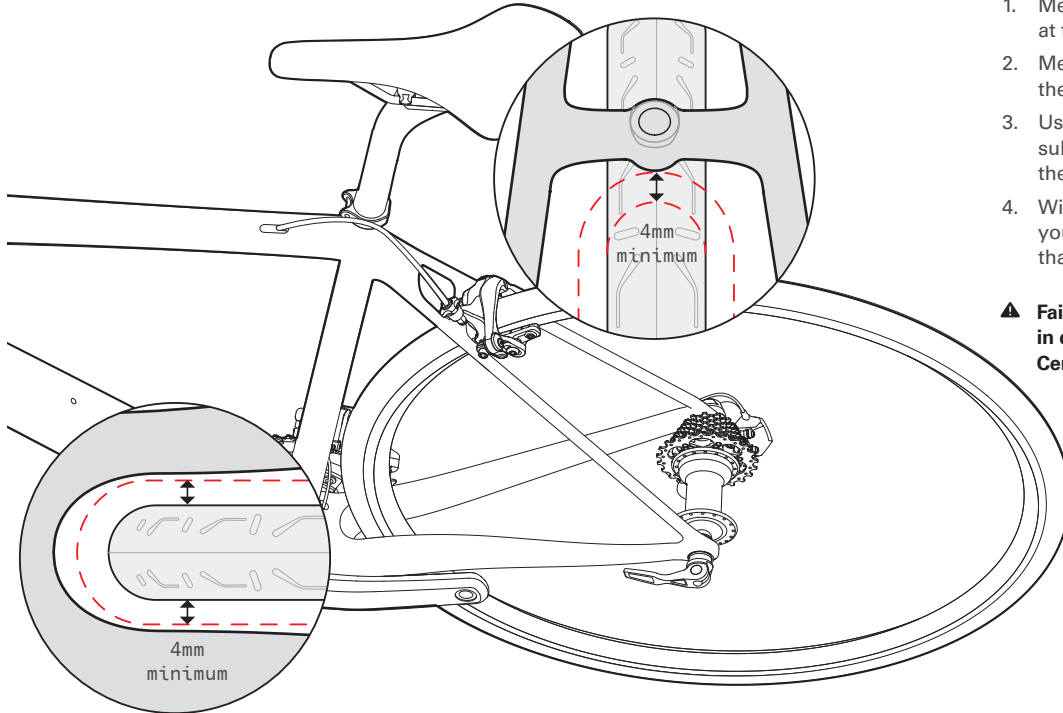
Install chain catcher when installing the front derailleur. Complete final adjustment with the chain in the small chainring and largest cassette cog. Tighten the connecting bolt to 4 Nm.



Clean the chain stay using isopropyl alcohol. Install the Chain Stay Guard by removing adhesive backing, and fixing the guard to the frame. The bottom rearward edge should be 12mm from the front edge of the Rear Derailleur Hanger.

# TIRE CLEARANCE

Your Cervélo bicycle complies with the ISO 4210-2:4.10.2 standard for tire clearance. In order to comply with these safety standards and maintain your Limited Lifetime Warranty, a minimum of 4mm of clearance must remain between the tire and any frame element. Due to the growing complexity of tire and rim interfaces, Cervélo recommends identifying the available space before choosing a tire.



1. Measure the space between the chainstays at the bottom-bracket junction.
2. Measure the space between the seatstays at the top of the tire.
3. Using the smallest of those two numbers, subtract 8mm (4mm per side) to determine the remaining space.
4. With the tire installed and fully inflated on your wheel, measure the tire width to ensure that it fits.

**▲ Failure to follow these guidelines may result in damage to the frame not covered by Cervélo Limited Lifetime Warranty.**

*R3 & R2 MANUAL*

[www.cervelo.com](http://www.cervelo.com)

CER-R23-V2

**cervelo**