

*2019 P5 RETAILER ASSEMBLY MANUAL*

*cervélo*

*velo*

# TABLE OF CONTENTS

Important Information.....	1	Extension & Basebar - Di2 Cable Routing .....	22
List of Tools & Supplies.....	2	Extension & Basebar - eTap Cable Routing .....	23
P5 Parts List.....	3	Extension & Basebar - Mechanical Cable Routing .....	24
Frame Features.....	4	Electric Cable Installation.....	25
Small Parts.....	5	Mechanical Cable Installation.....	26
Frame Preparation.....	6	Top Tube SmartPak Installation.....	27
Brake Housing Routing.....	8	Stem SmartPak Installation.....	28
Electric Cable Routing.....	10	Seatpost Assembly .....	29
Mechanical Cable Routing.....	11	Seatpost Cutting Instructions.....	31
Fork Preparation.....	12	Seatpost Di2 Battery Installation.....	32
Fork Installation.....	13	Basebar Grip Installation .....	33
Monoriser Post.....	15	Tire Clearance.....	34
Extension Assembly.....	16	Aero Through-Axle Wheel Installation.....	35
Arm Cup & Pad Installation.....	17		
Arm Cup Positions.....	18	Appendix:EX10 Riser.....	37
Monoriser Post Assembly.....	19	EX10 Riser Assembly .....	38
Monoriser Post Cutting Instructions.....	20	EX10 Extension Assembly .....	39
Monoriser Assembly Installation.....	21	EX10 Extension Angle Adjustment .....	40

# IMPORTANT INFORMATION

This manual is intended to guide official Cervélo retailers, through the assembly and adjustment of the Cervélo P5. This manual outlines the process and procedure associated with the installation of Cervélo components, as well as the routing of shifting and braking control lines only. Proprietary parts referenced in this manual are available only through Cervélo Cycles Inc. directly.

Failure to use the specified parts and follow these assembly instructions may result in loss of control while riding, leading to serious injury. This manual is not intended to replace the assembly and service instruction provided by third-party component manufactures, and assumes that the assembler is a trained, professional bicycle mechanic. See <https://www.probma.org/>

**NOTE:** Cervélo strongly recommends that all assembly and adjustment procedures be performed by an authorized Cervélo retailer. If you are a Cervélo P5 consumer/purchaser reading this manual we suggest that before attempting to undertake any of the procedures in this manual that you consult your authorized Cervélo retailer, or visit us at [www.cervelo.com/support](http://www.cervelo.com/support)

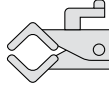

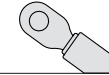

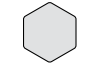








# LIST OF TOOLS & SUPPLIES

This manual outlines a number of procedures for making optional adjustments to the P5 which differ from the way the bicycle is originally sold by Cervélo. The following tools and parts listed are required for these adjustments. These parts are not available for consumer purchase and are only available for purchase by Cervélo retailers. Cervélo strongly recommends that all assembly and adjustment procedures be performed by an authorized Cervélo retailer.

All parts available for separate purchase are noted in this manual with Cervélo part numbers listed in ALL - CAPS FORMAT, with a full listing provided on page 3. These parts are available by visiting the Cervélo Customer Portal <https://dealers.cervelo.com>

**NOTE:** All non-proprietary components are available from your local distributor.

**NOTE:** This manual was developed to complement the Cervélo General User Manual, and is intended as a supplement to the assembly and installation instructions supplied by the component manufacturers (provided with this bicycle).

Tools		Tools	
	Bicycle workstand (types which secure bike by the seatpost, or pro-type stand with fork mount)		Phillips-head screwdriver
	Torque wrench(es) with 2.5Nm to 15Nm range and adaptors:		Slot-head screwdriver
	Allen (Hex) head inserts: 2mm, 2.5mm, 3mm, 4mm, 5mm, 6mm, 8mm, 10mm		Pedal wrench
	Open ended wrenches: 7mm, 8mm, 10mm, 17mm		Brake rotor lockring tools
	Cable cutters		Hydraulic bleed kit
	Pliers		Di2 wire tool – Shimano
			Good quality bicycle grease

# P5 PARTS LIST

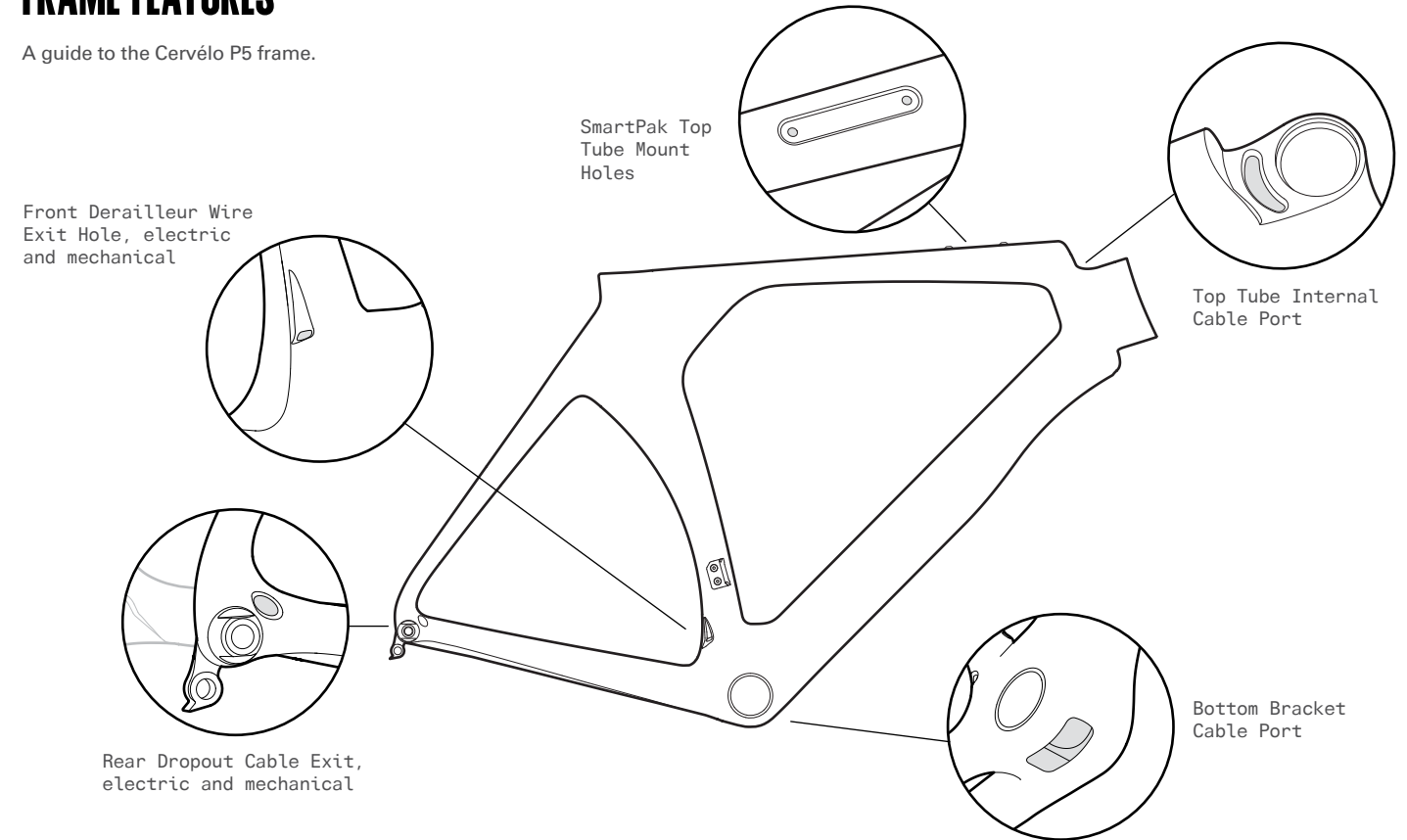
Item Description	Cervélo Part No.
Front Derailleur Mount w/ Bolts	FDM-0E0
Bottle Boss Cover Plate	CVR-WB
Chainstay Protector P Series	PRO-CS-P
BB Cable Guide & Cover	BBG-0E0
Threaded Axle Fork Insert	QRI-THD
Seat Post Clamp Assembly P Series	SPC-0E0P
P Series Seatpost Battery Mount	MT-BINT-SP
SB03 Top Tube Storage Box	SB-SB03-TT
SB04 Stem Storage Box	SB-SB04-STEM
Disc Brake Hose Guide	CBG-DBH
HB11 Headset	HS-HB11

Item Description	Cervélo Part No.
Cervélo Front Aero Through Axle	QRA-AERO-F
Cervélo Rear Aero Through Axle	QRA-AERO-R
HB11 Basebar Assembly	HB-HB11
HB11 Stem Top Cap With Bolt	STC-HB11
HB11 Stem Cover Cap	HBP-HB11-STCVR
Basebar Grips L/R	HBP-GRIPS
P5 Riser Post Clamp	HBP-PCLP
SP23 Carbon Seatpost With Head	SP-SP23
UCI P5 Seatpost	SP-CER-UCI-ACB
SP21, SP23 Saddle Clamp Slug	SPS-SP2123

Item Description	Cervélo Part No.
Seatpost Water Bottle Mount	MT-WB-SP
EX11 Monoriser	HBP-EX11-RISER
EX11 Di2 Riser Post Plug	MT-EX11-DI2
EX11 Riser Post Rests w/ Bolts	HBP-EX11-RESTS
EX11 Riser Post Pads	HBP-EX11-PADS
EX11 Extensions 50 Degrees	HBP-EX11-EXT50DEG
EX11 Extensions 30 Degrees	HBP-EX11-EXT30DEG
EX11 Extensions S Bend	HBP-EX11-EXTSBEND
EX11 Extension Fixing Wedge w/Bolt	HBP-EX11-FW
EX11 Di2 Plate/Mech. Plug w/Bolt	HBP-EX11-CVR

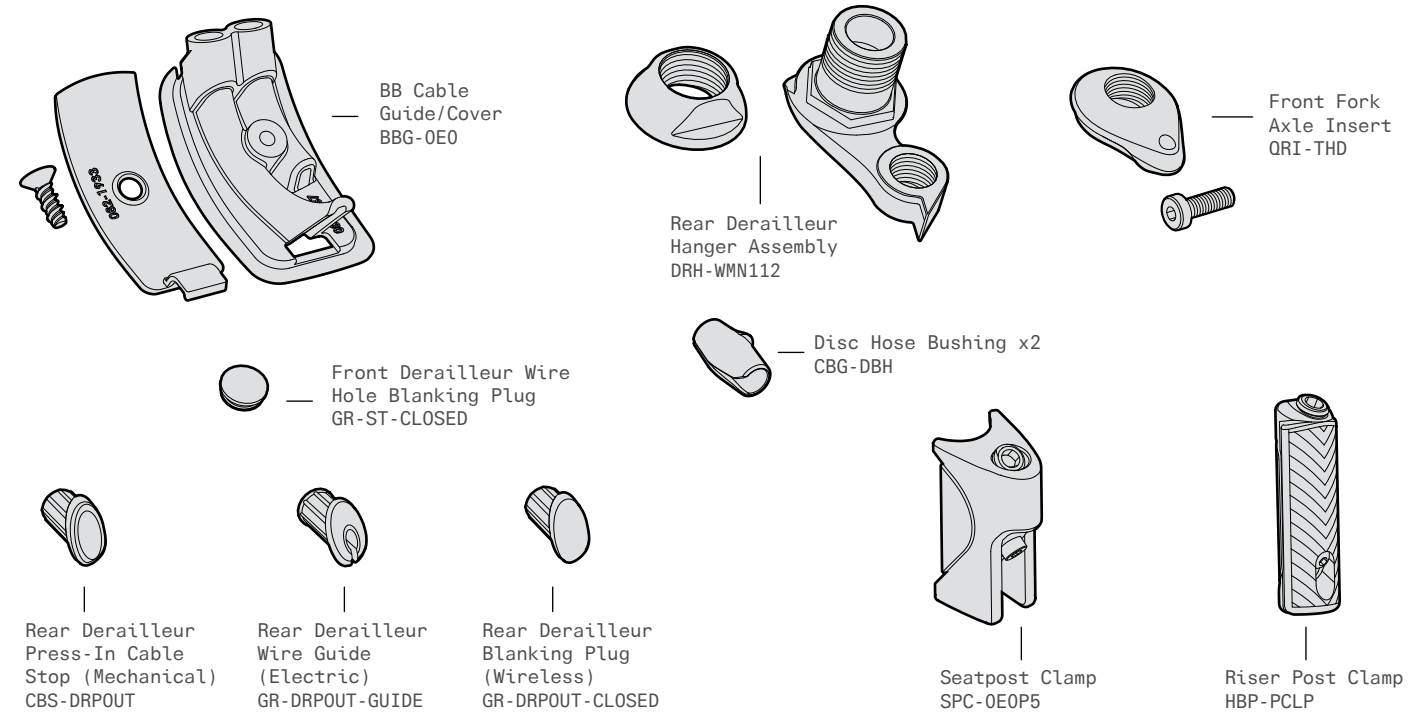
# FRAME FEATURES

A guide to the Cervélo P5 frame.



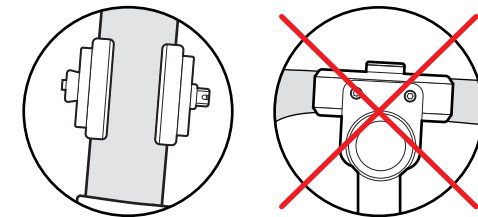
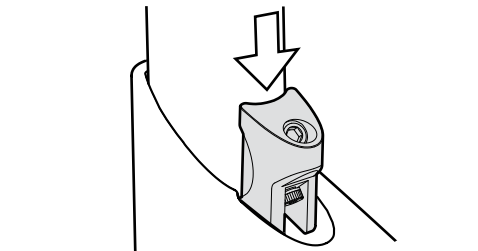
## SMALL PARTS

Designed to accommodate electronic, mechanical and hydraulic controls, the P5 frame is engineered to provide seamless integration of all shifting systems, regardless of method or brand. In order to do so, you will require the parts shown below. Not all parts will be used, depending on the groupset fitted to the bicycle.



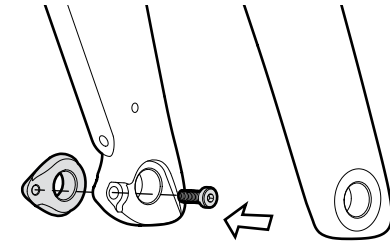
## FRAME PREPARATION

1. Apply carbon assembly compound to both frame and seatpost.
2. Insert Seatpost Clamp (SPC-0E0P5) fully into frame so it is fully flush with the top tube.
3. Adjust height and torque to 8Nm maximum.

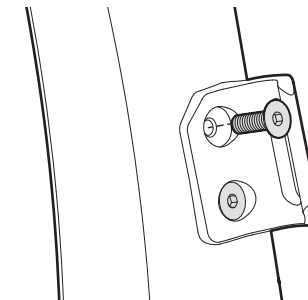


**⚠ WARNING**  
Hold the frame using a secured seatpost only.

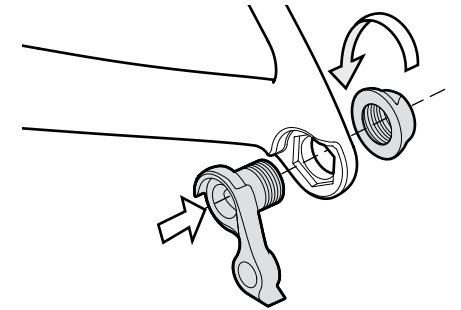
**⚠ WARNING**  
Clamping the top tube can damage the frame and void your warranty.



Lightly grease supplied M4 fixing screw, and install the Front Fork Axle Insert (QRI-THD) to the fork. Torque to 3Nm.



Ensure Front Derailleur Mount fixing screws are torqued to 3Nm.

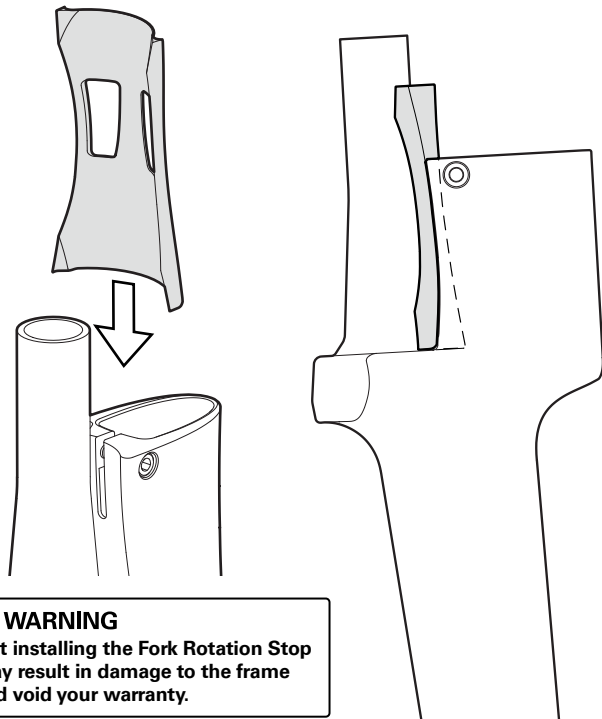


Lightly grease Rear Derailleur Hanger Fixing Nut and install Rear Derailleur Hanger (DRH-WMN112) finger tight. Final tightening will be done after rear wheel installation.

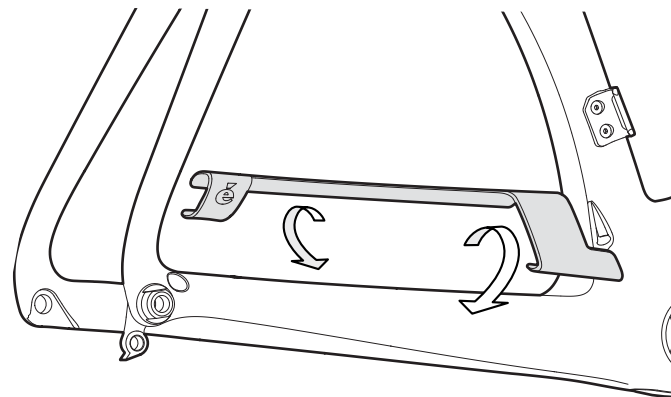
**⚠ WARNING**  
Do not final tighten rear derailleur hanger assembly without rear wheel installed. Doing so will result in a misaligned derailleur and poor shifting.

## FRAME PREPARATION

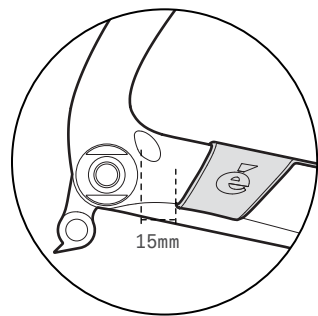
Clean fork surface with isopropyl alcohol. Remove backing and fix the adhesive Fork Rotation Stop to the fork.



**⚠ WARNING**  
Not installing the Fork Rotation Stop may result in damage to the frame and void your warranty.

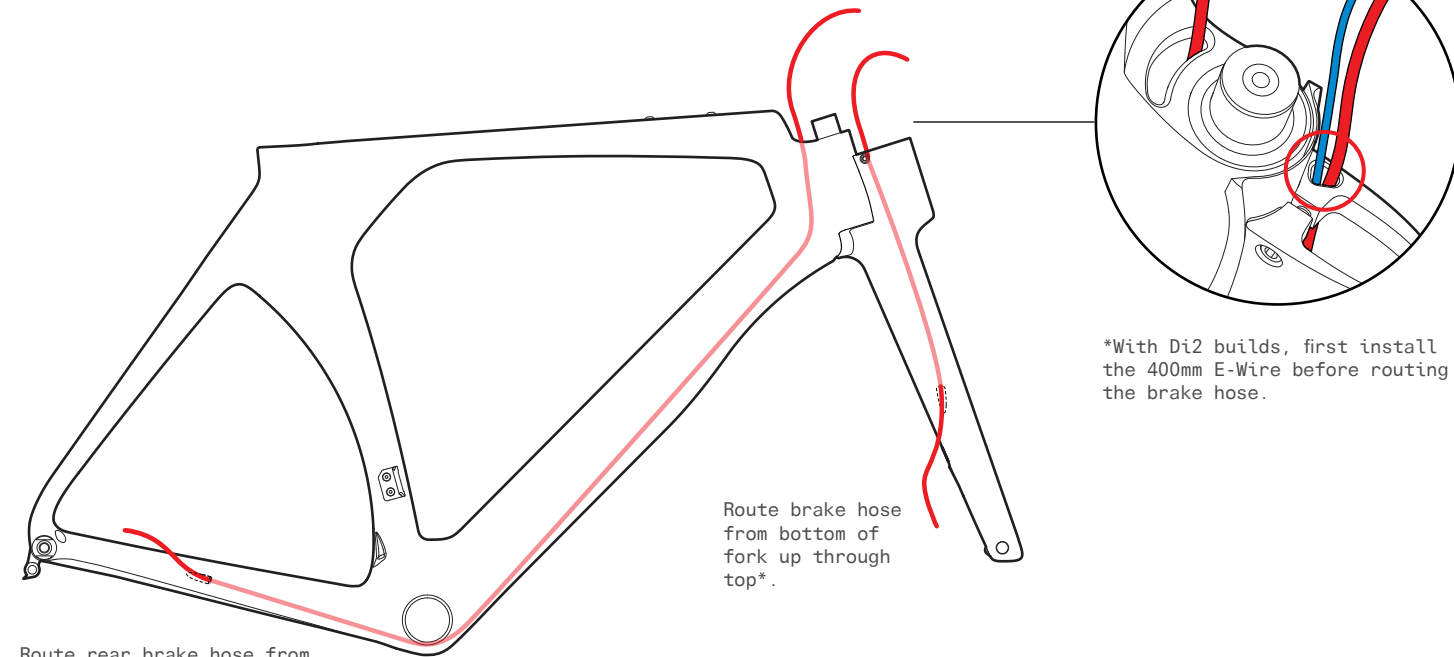


Clean the chainstay using isopropyl alcohol. Install the Chainstay Guard by removing adhesive backing, and fixing the guard to the frame. The bottom rearward edge should be approximately 15mm from the edge of the Rear Derailleur Hanger Fixing Nut.



## BRAKE HOUSING ROUTING

It is recommended that the rear hydraulic brake hose or brake cable housing is installed first. These routing illustrations are intended as a supplement to the manufacturer's installation instructions only. For both hydraulic and mechanical disc brakes, please refer to the component manufacturer's service center or website for further information.



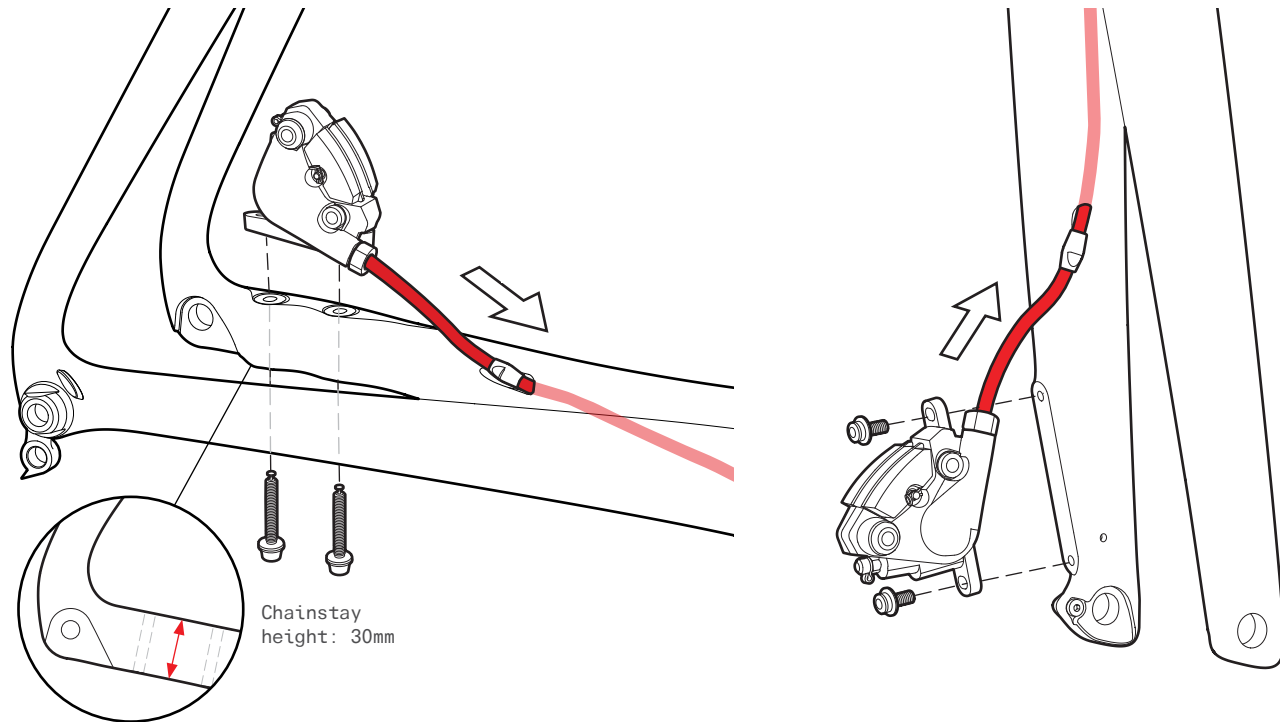
Route brake hose from bottom of fork up through top\*.

Route rear brake hose from chainstay through from Top Tube Internal Cable Port.

\*With Di2 builds, first install the 400mm E-Wire before routing the brake hose.

## BRAKE HOUSING ROUTING

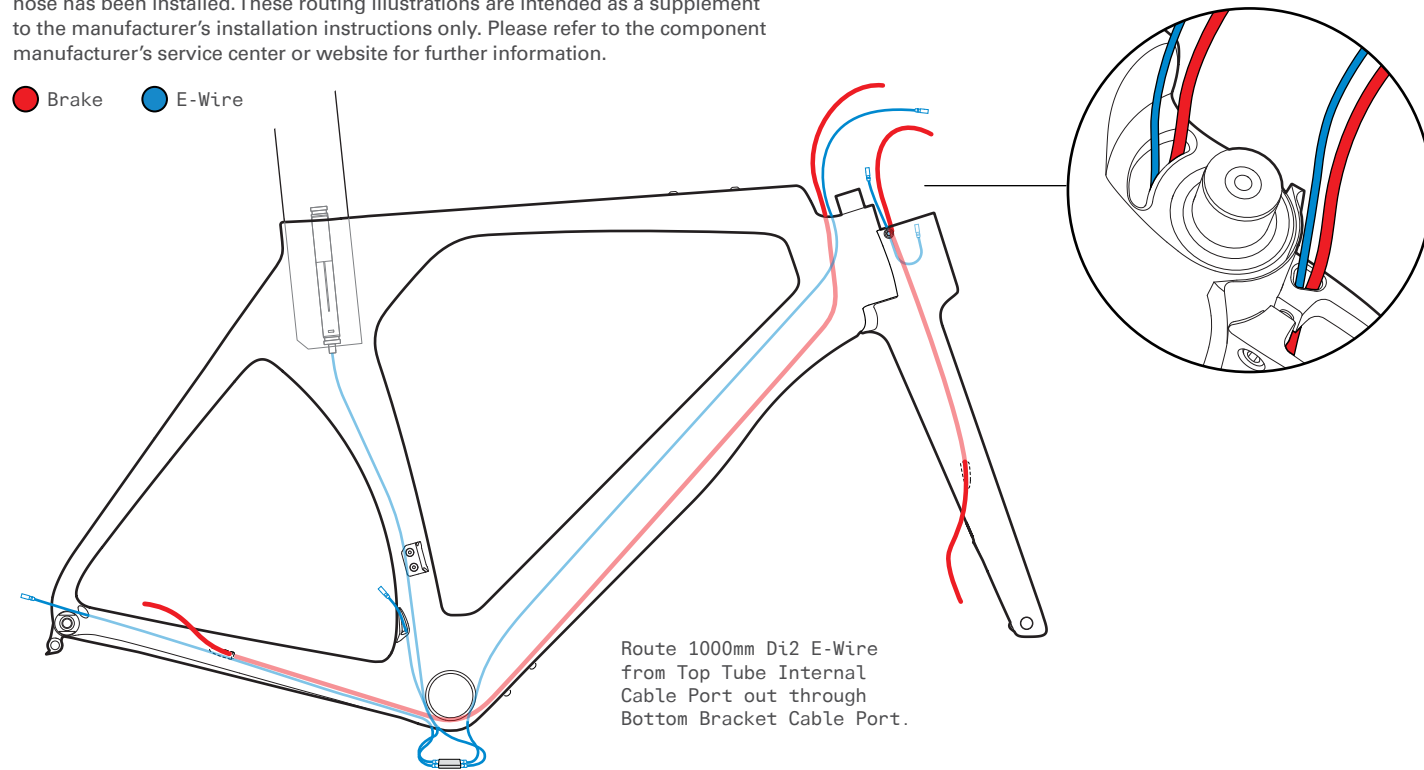
Route hydraulic brake hose or mechanical brake housing through the frame and fork with the Disc Hose Bushings (CBG-DBH). Install and adjust calipers as per manufacturer's instructions.



## ELECTRIC CABLE ROUTING

It is recommended that electric cabling and junction points be installed after the brake hose has been installed. These routing illustrations are intended as a supplement to the manufacturer's installation instructions only. Please refer to the component manufacturer's service center or website for further information.

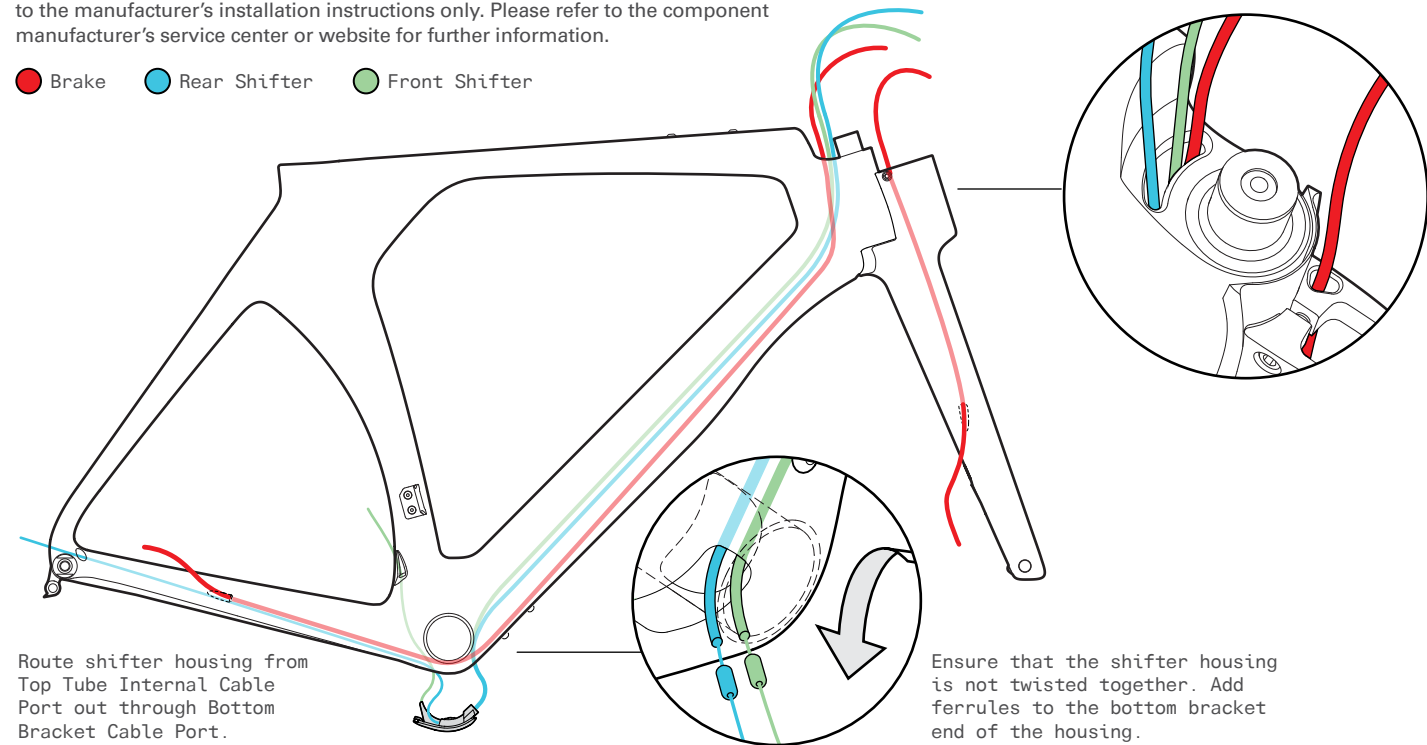
● Brake ● E-Wire



## MECHANICAL CABLE ROUTING

It is recommended that front and rear derailleur cables be installed after the brake hose has been installed. These routing illustrations are intended as a supplement to the manufacturer's installation instructions only. Please refer to the component manufacturer's service center or website for further information.

● Brake ● Rear Shifter ● Front Shifter

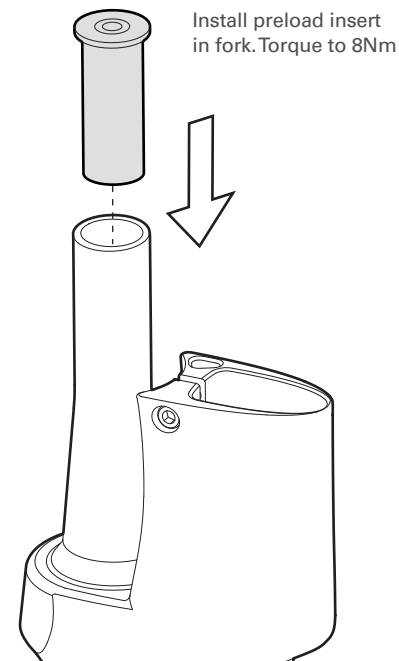


Route shifter housing from Top Tube Internal Cable Port out through Bottom Bracket Cable Port.

Ensure that the shifter housing is not twisted together. Add ferrules to the bottom bracket end of the housing.

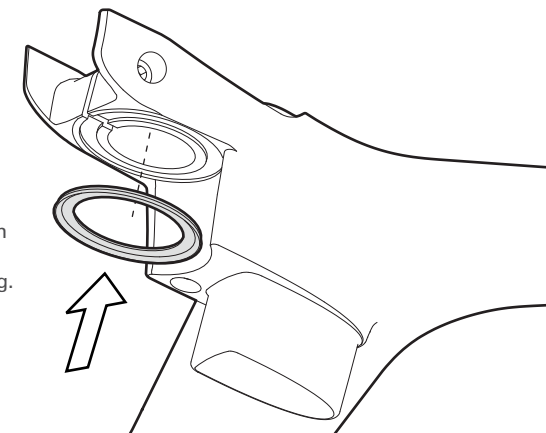
## FORK PREPARATION

**Note:** It is recommended that you familiarize yourself with the steering system before complete installation, by performing a trial assembly without hoses or control cables present.

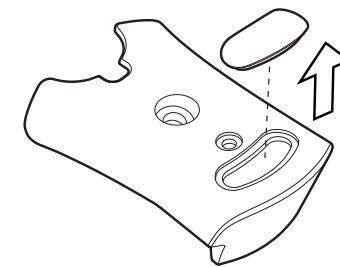


Install preload insert in fork. Torque to 8Nm

Prepare Basebar by cleaning the seal seat with isopropyl alcohol, and installing bearing seal ring.

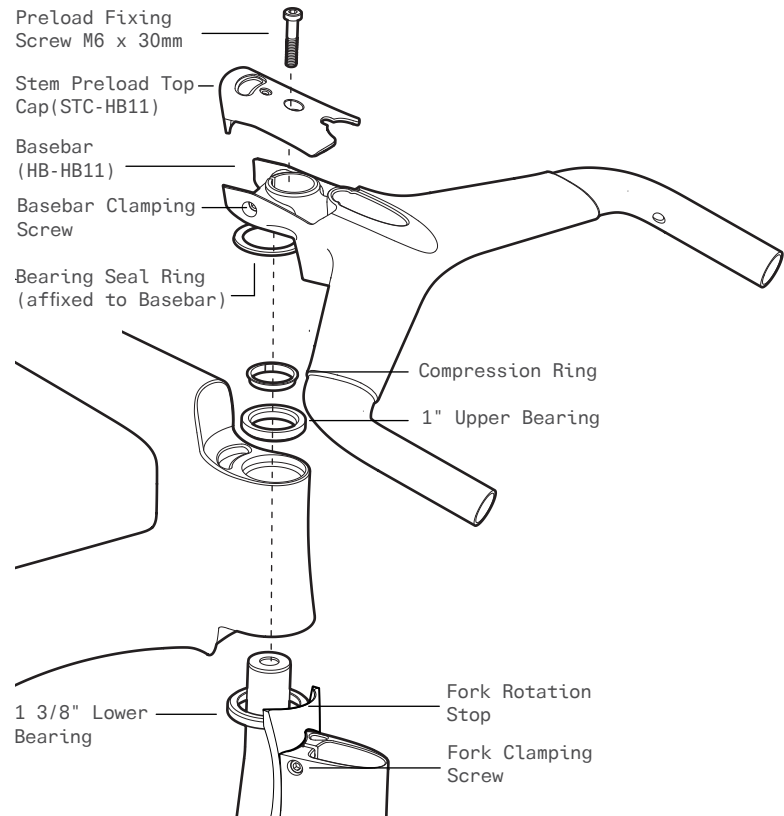


For installation of mechanical shifting or SRAM eTap, prepare Stem Preload cap by removing rubber insert.



**⚠ WARNING**  
Your Cervélo frame & fork have been designed to work together. Do not attempt to install an alternative fork.

## FORK INSTALLATION



**NOTE:** This diagram is for assembly reference only. During complete assembly, hoses and control cables will be present.

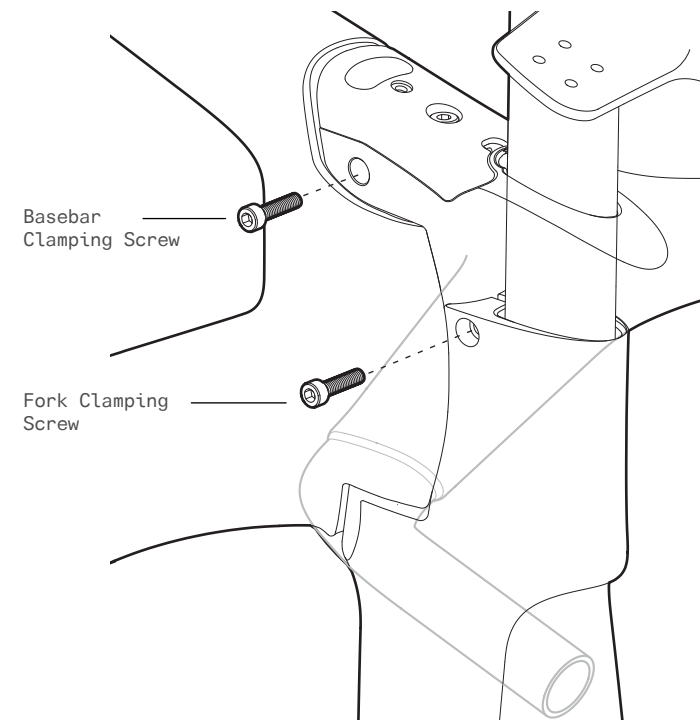
1. Check the Basebar, and headset components to make sure there are no sharp or rough edges on any of the surfaces which could cut or damage the steerer tube. If any rough edges are detected, have the components repaired (sharp edges removed) or replaced before proceeding.
2. Press the lightly greased upper and lower headset bearings into the frame, and insert the fork into the head tube.
3. Slide the compression ring onto the steerer, and down until it fully seats in the top of the upper headset bearing. The split in the compression ring must be oriented toward to left or right side of the steerer – never towards the front or back.
4. Clean the seal seat of the Basebar with isopropyl alcohol, and adhere the Seal Ring to the Basebar.
5. Slide the Basebar onto the fork steerer oriented as shown. Note the Basebar must engage both the fork steerer and the external steerer. Do not use grease on the fork steerer. The use of Tacx Carbon Assembly Compound™ or equivalent friction paste is recommended to help secure the stem.

## FORK INSTALLATION

6. Lightly grease the threads of the Preload Fixing Screw.
7. Place the Stem Cap on top of the Basebar and insert the greased Preload Fixing Screw through the cap to engage with the star nut. Tighten the bolt only enough to remove all play from the headset, and ensure that the fork still rotates freely.
8. Tighten both the greased Basebar Clamping Screw and Fork Clamping Screw using a torque wrench. Tighten the bolts to a maximum of 5Nm.
9. As a final check ensure that the fork rotates freely in the head tube without any play or binding. If any problem is detected, loosen the bolts and perform steps 7) to 8) again.

### ⚠ WARNING

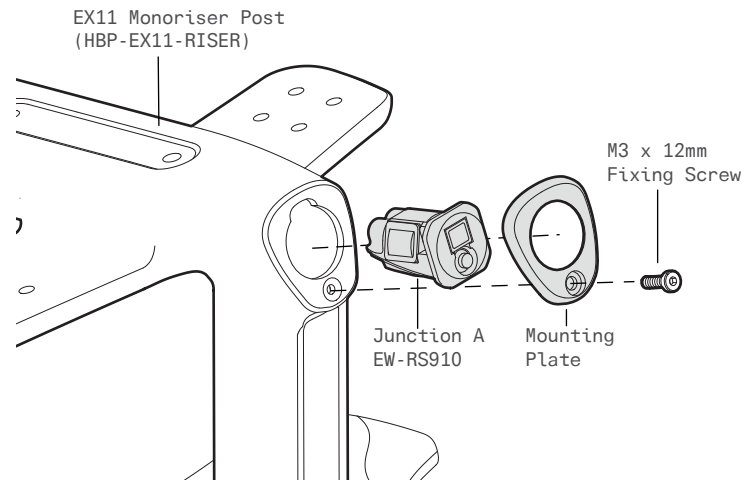
Do not exceed the maximum torque specifications listed in this manual. Correct tightening force on fasteners – nuts, bolts, screws – on your bicycle is very important. Too little force, and the fastener may not hold securely. Too much force, and the fastener can strip threads, stretch, deform or break. Either way, incorrect tightening force can result in component failure, which can cause you to lose control and fall.



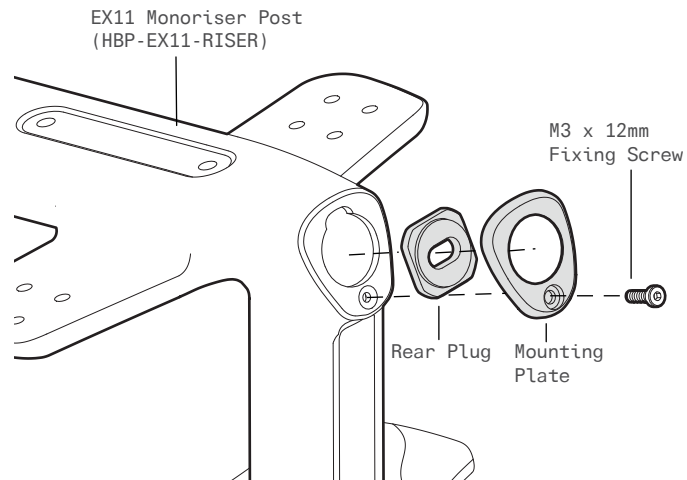


# MONORISER POST

**NOTE:** This diagram is for assembly reference only. During complete assembly, hoses and control cables will be present.



Shimano Di2: Install Junction A and Mounting Plate. Tighten M3 x 10mm screw to 1-2Nm.

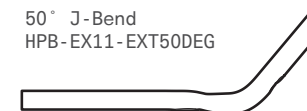
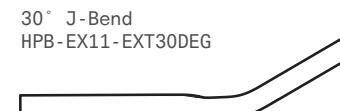
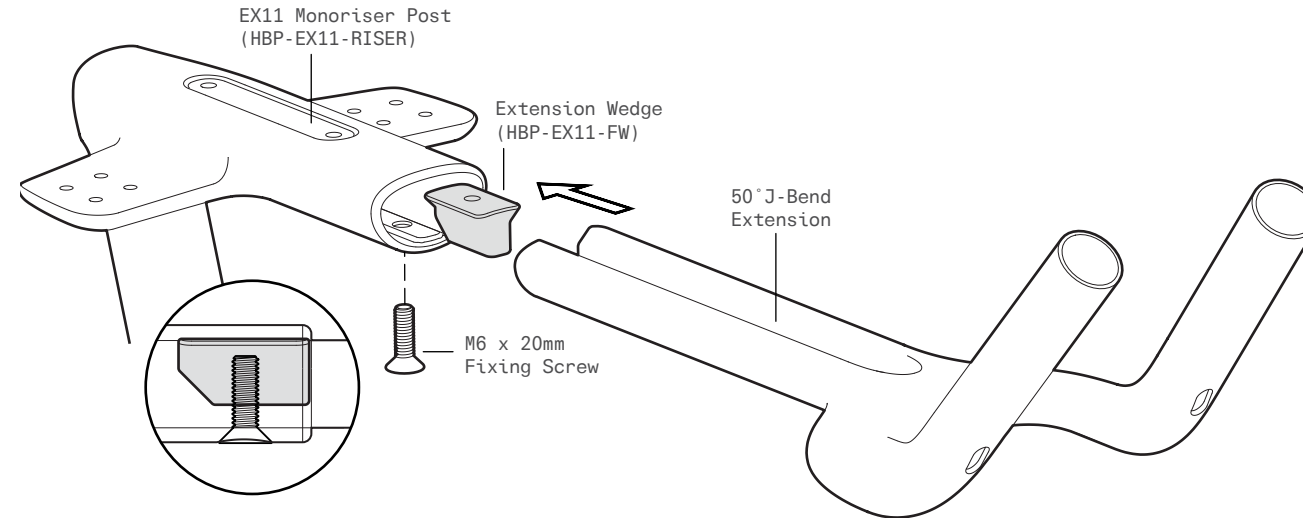


Mechanical & SRAM eTap: Install Rear Plug and Mounting Plate. Tighten M3 x 10mm screw to 1-2Nm.

# EXTENSION ASSEMBLY

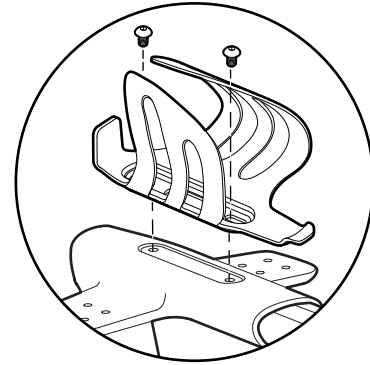
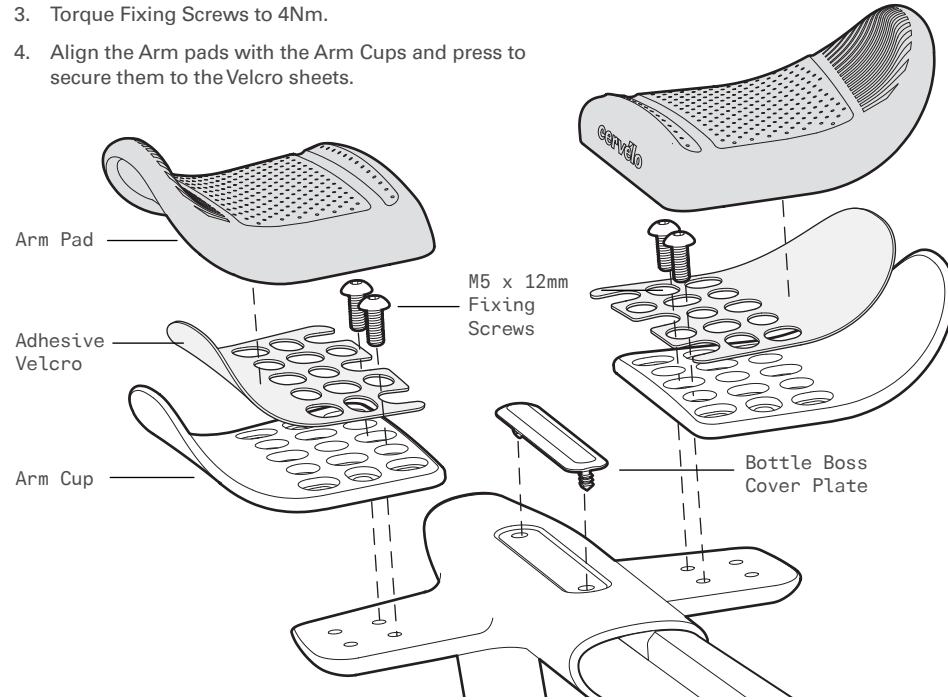
Apply a light coating of Carbon Assembly Paste to the clamping area of the Extensions, and secure Extension Wedge by tightening the lightly greased M6 x 20mm fixing screw to 4Nm.

**NOTE:** This diagram is for assembly reference only. During complete assembly, hoses and control cables will be present.



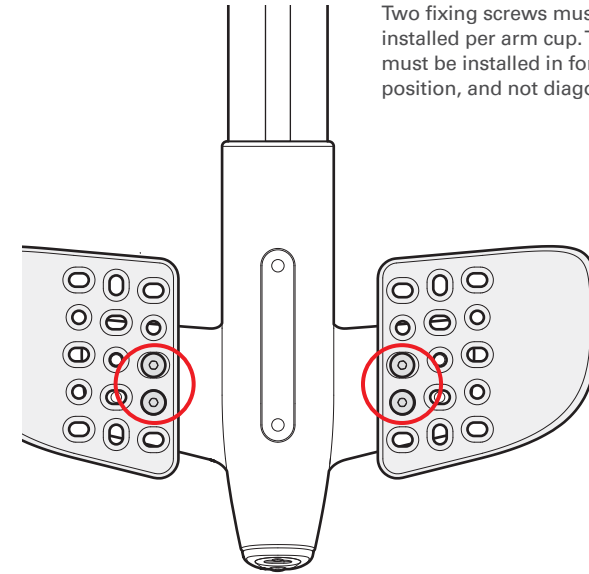
# ARM CUP & PAD INSTALLATION

1. Clean Arm Cups with isopropyl alcohol and apply Velcro sheets.
2. Attach Arm Cups to the Riser Post using two lightly greased M5 Fixing Screws.
3. Torque Fixing Screws to 4Nm.
4. Align the Arm pads with the Arm Cups and press to secure them to the Velcro sheets.

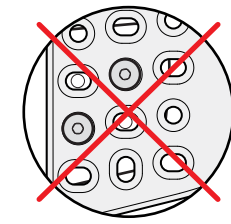


Aerobar water bottle mount, torque M5 x 8mm fixing screws to 2Nm.

# ARM CUP POSITIONS

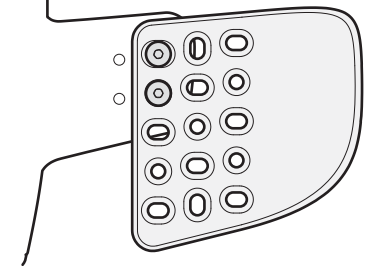
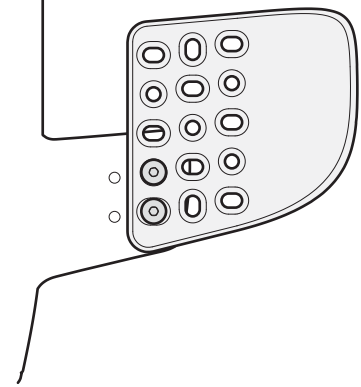


Two fixing screws must always be installed per arm cup. The fixing screws must be installed in fore-aft fixing position, and not diagonal.



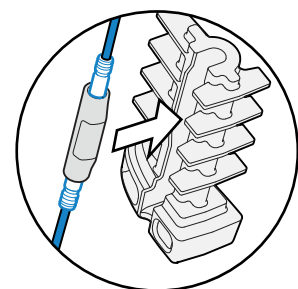
Position: Farthest outside, farthest forward.

Position: Farthest outside, farthest back.

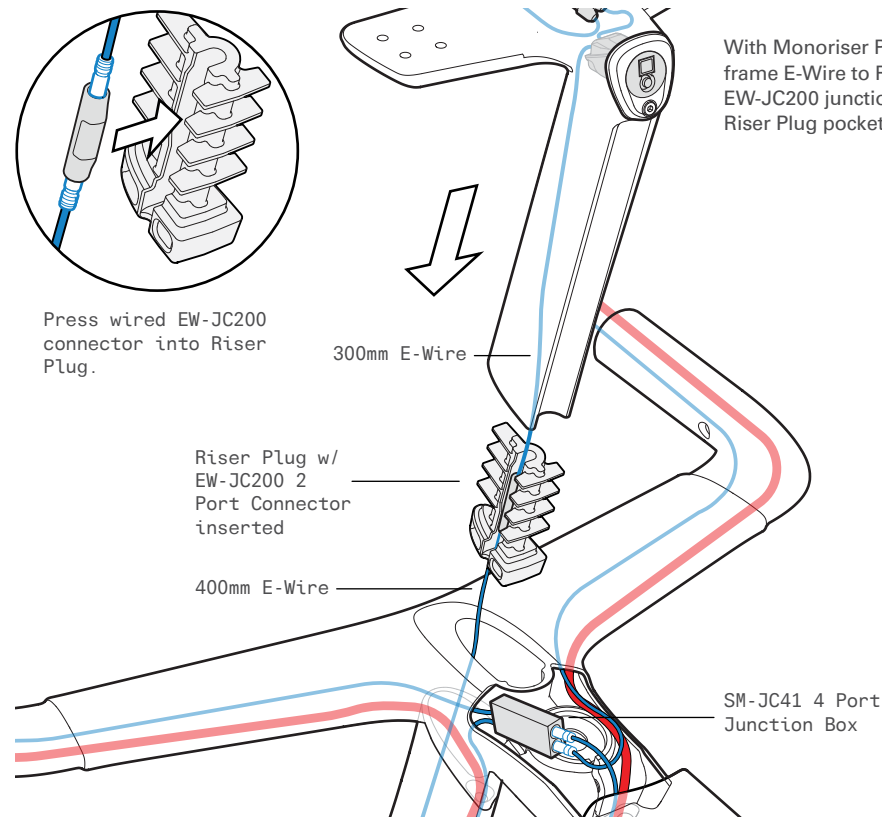


**⚠ WARNING**  
Failure to use the specified parts and to follow the supplied assembly instructions may result in a loss of control while riding and potentially serious injury.

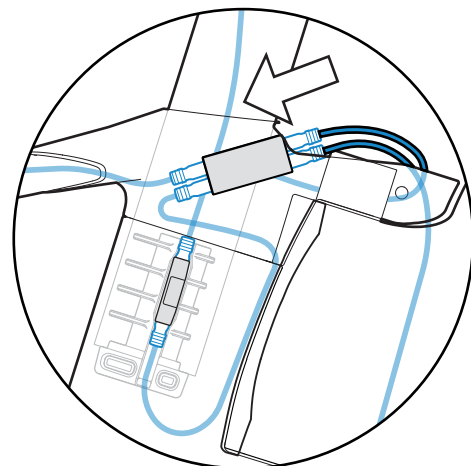
## MONORISER POST ASSEMBLY



Press wired EW-JC200 connector into Riser Plug.



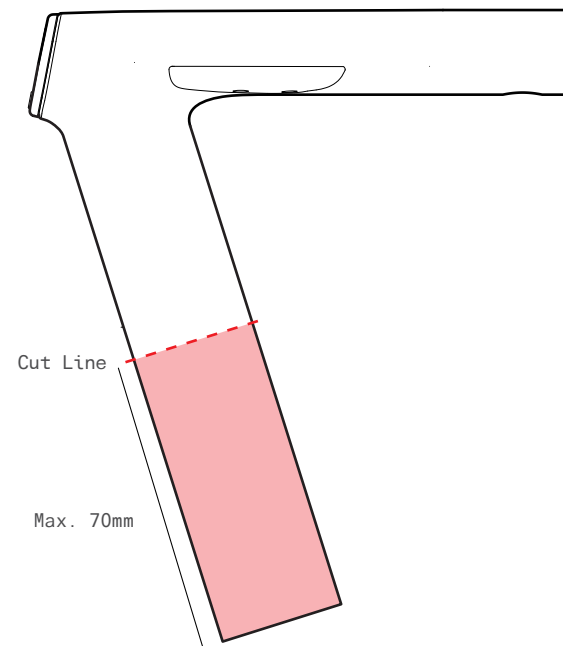
With Monoriser Post pre-wired, connect frame E-Wire to Riser Post E-Wire using EW-JC200 junction, and locate in the Riser Plug pocket.



Push the SM-JC41 4 Port Junction Box into the Basebar after wiring is complete.

## MONORISER POST CUTTING INSTRUCTIONS

Achieving the lowest possible stack may require trimming the Monoriser Post. If using a cut Riser Post ensure there is always a minimum of 70mm remaining inside the frame.

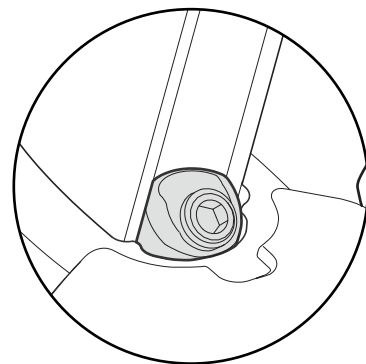
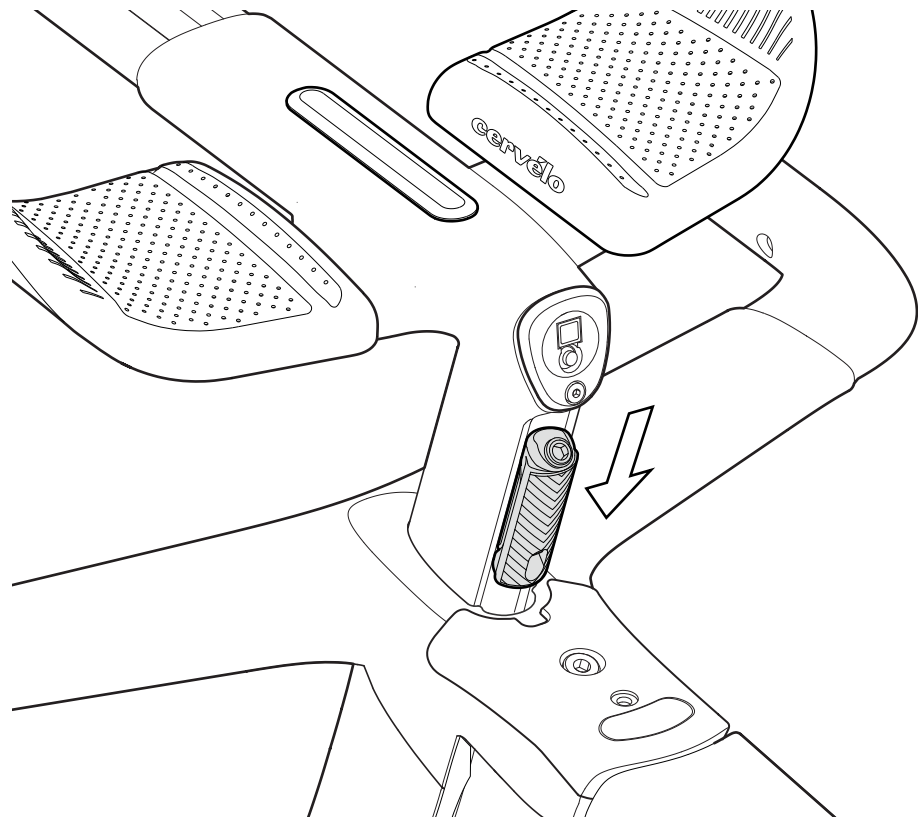


1. Use a light coloured grease pencil to accurately mark the cut-off location on the Monoriser Post. **See table below for the exact number based on frame size.**
2. Insert the Monoriser Post in the ParkTool SG-7.2 Saw Guide (or equivalent) so that the cut-off line can be seen clearly through the blade guide in the tool.
3. Using a blade designed specifically for cutting carbon; proceed with cutting the stem steerer (as per ParkTool's instructions).
4. Carefully file the cut end removing any rough edges.

Frame Size (cm)	Trim Amount for Lowest Stack (w/ riser plug)
48	70mm
51	56mm
54	39mm
56	20mm
58	0mm

**⚠ WARNING**  
 If trimming is required, final length should allow for a minimum 70mm of Monoriser Post remaining in the frame. Failure to meet this requirement, may result in damage to the frame not covered by warranty policy, or serious injury to rider.

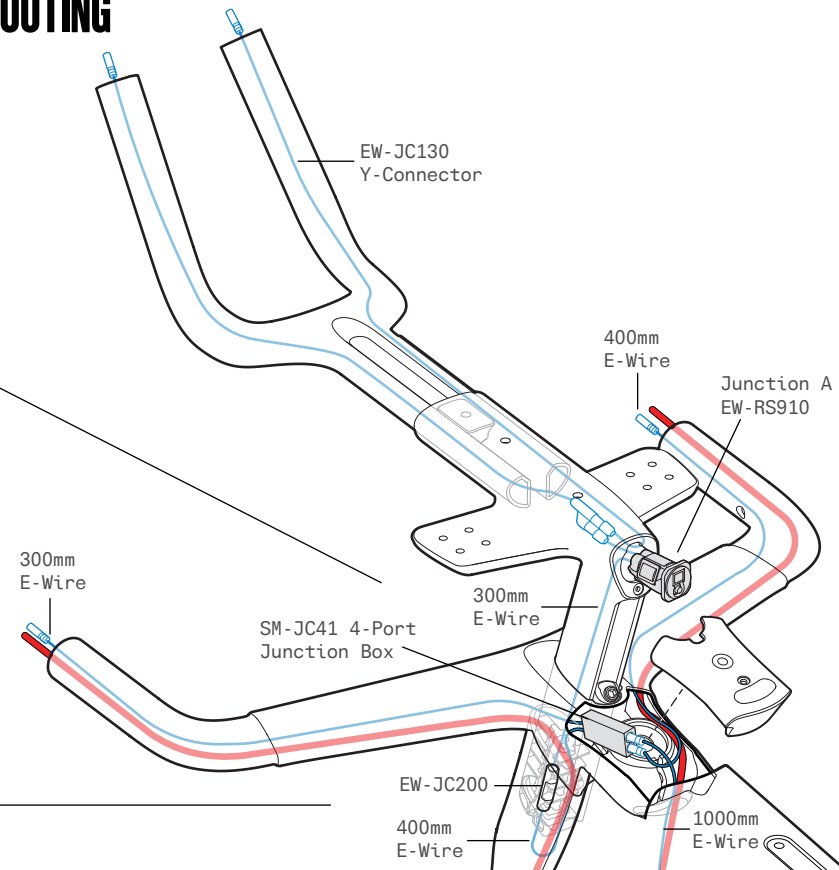
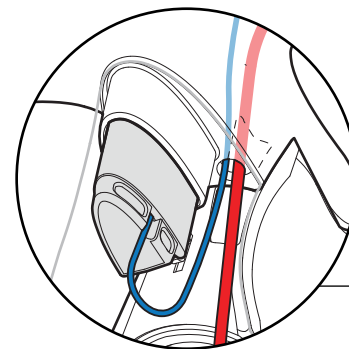
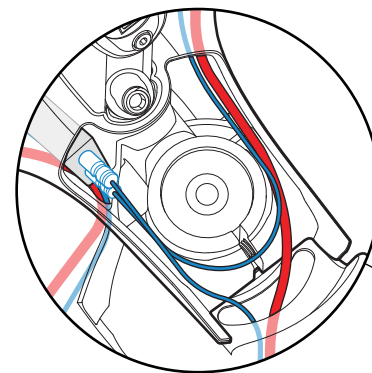
## MONORISER ASSEMBLY INSTALLATION



1. Apply a light coat of carbon assembly compound to Riser Post, and install into fork.
2. Apply a light coat of carbon assembly compound to chevron and rear surfaces of the Riser Post Clamp, and install at rear of Riser Post ensuring that the clamp is fully inserted, and no chevrons are visible.
3. Torque to 8Nm.

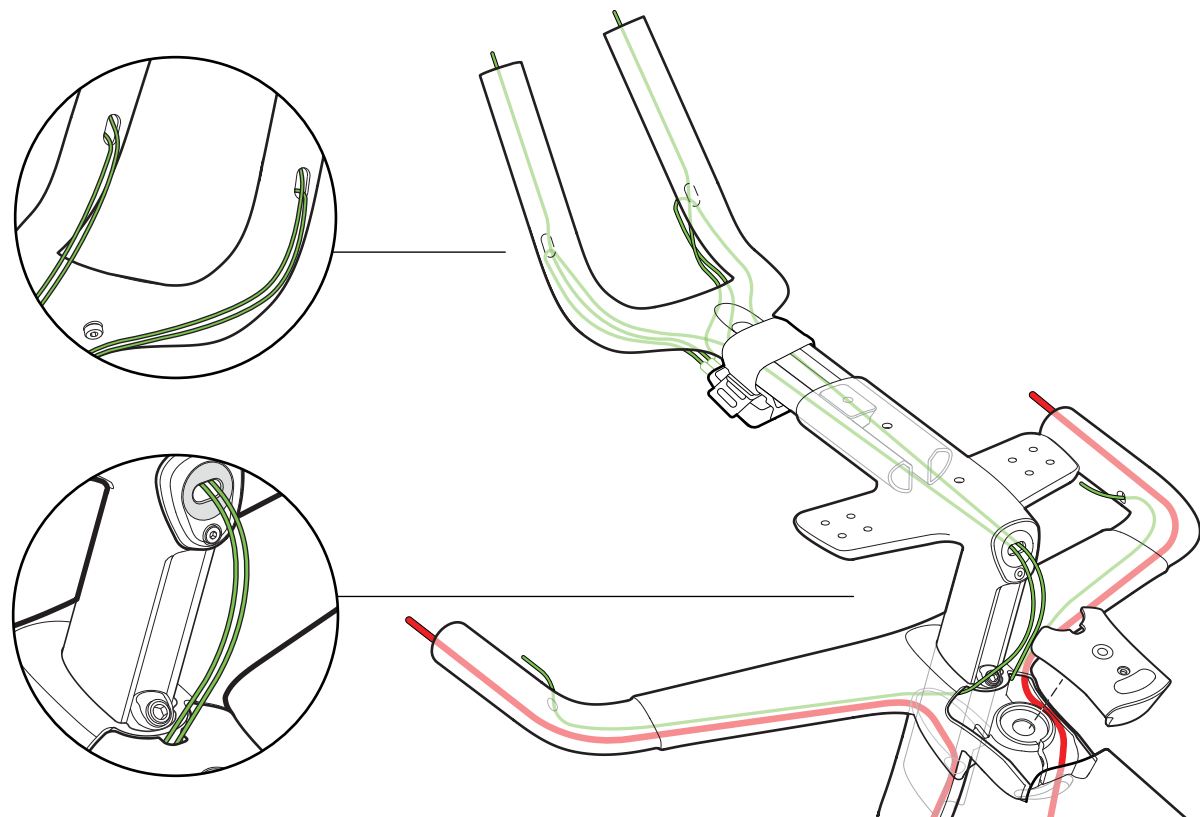
## EXTENSION & BASEBAR - DI2 CABLE ROUTING

- Brake
- E-Wire



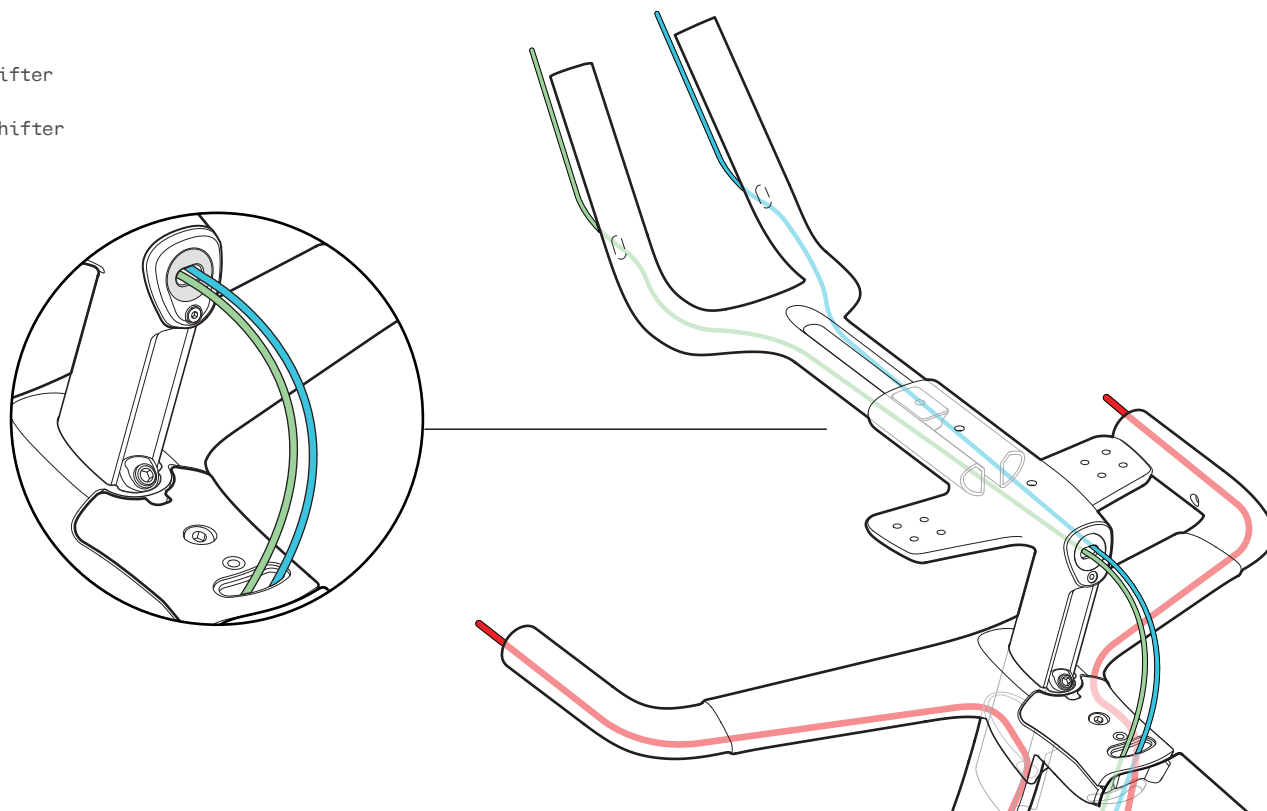
## EXTENSION & BASEBAR - ETAP CABLE ROUTING

- Brake
- eTap Blip Wire

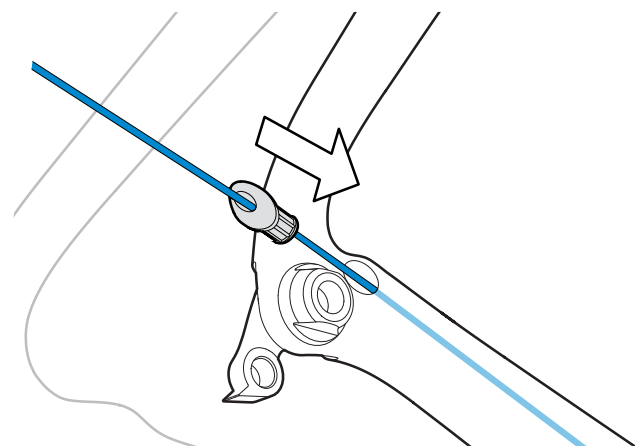
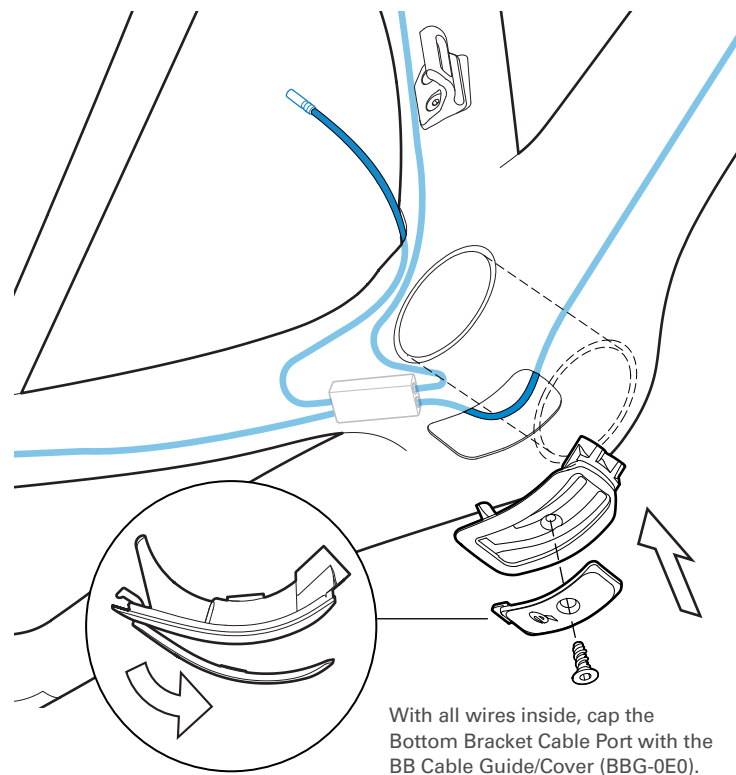


## EXTENSION & BASEBAR - MECHANICAL CABLE ROUTING

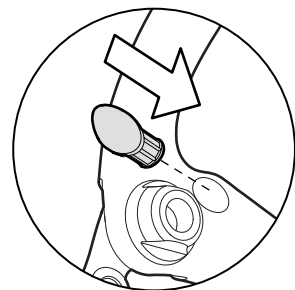
- Brake
- Rear Shifter
- Front Shifter



## ELECTRIC CABLE INSTALLATION

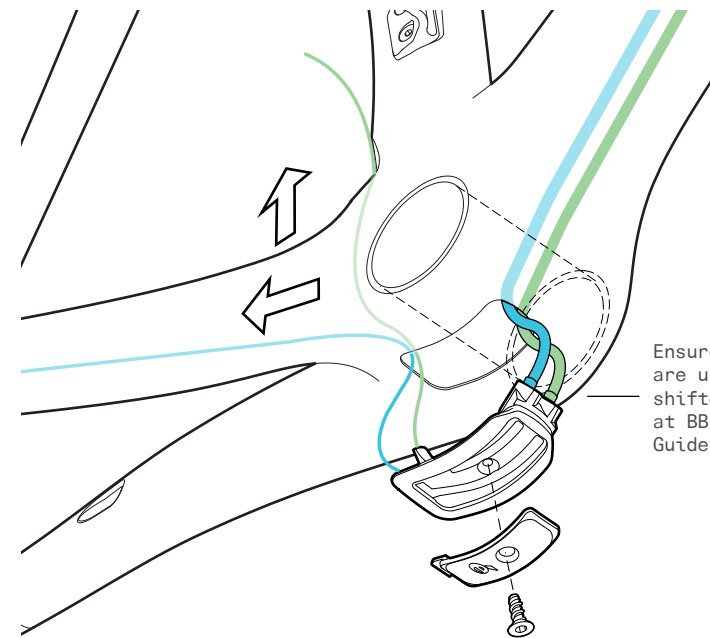


Install the Rear Derailleur Wire Guide (GR-DRPOUT-GUIDE).

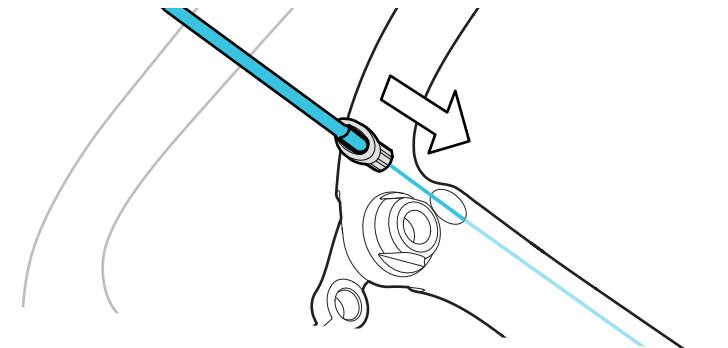


For wireless shifting systems install the Rear Derailleur Blanking Plug (GR-DRPOUT-CLOSED).

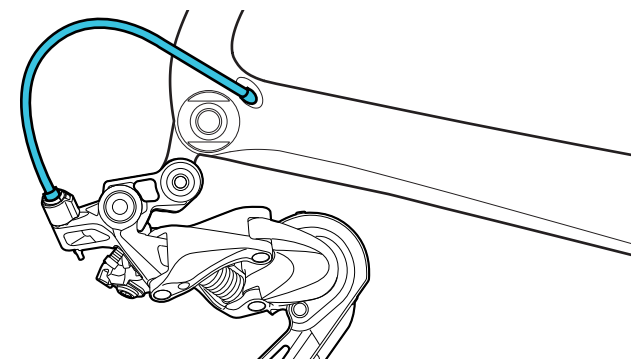
## MECHANICAL CABLE INSTALLATION



The front cable travels across the non-drive side slot, and in the direction of the seat tube. The rear cable travels along the drive side slot, and along the chainstay. When complete, fix the BB Cable Guide/Cover (BBG-0E0) into place.

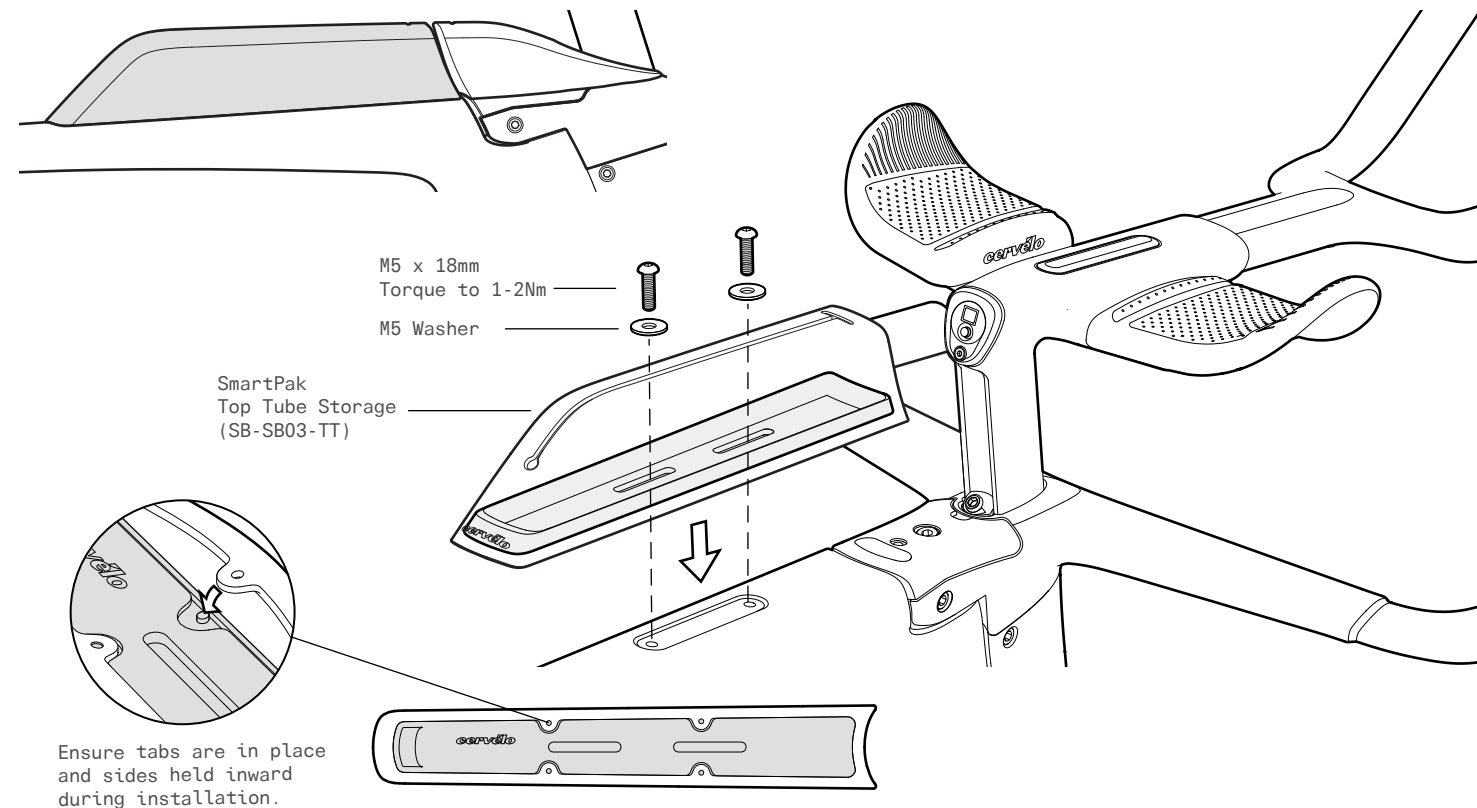


Install Rear Derailleur Press-In Cable Stop (CBS-DRPOUT).

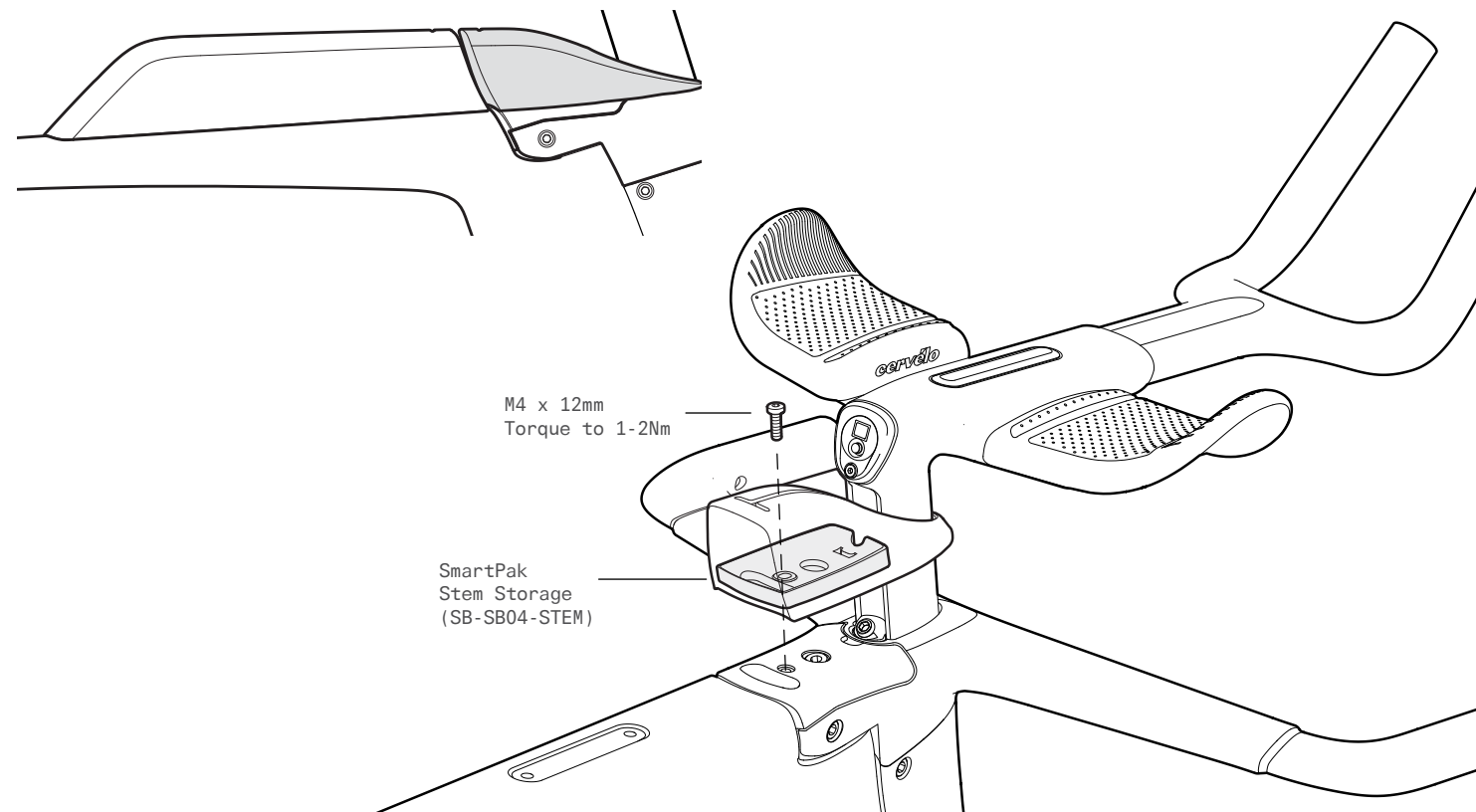


As per manufacturer's instructions, install rear derailleur on rear derailleur hanger, cut appropriate housing length, and attach cable.

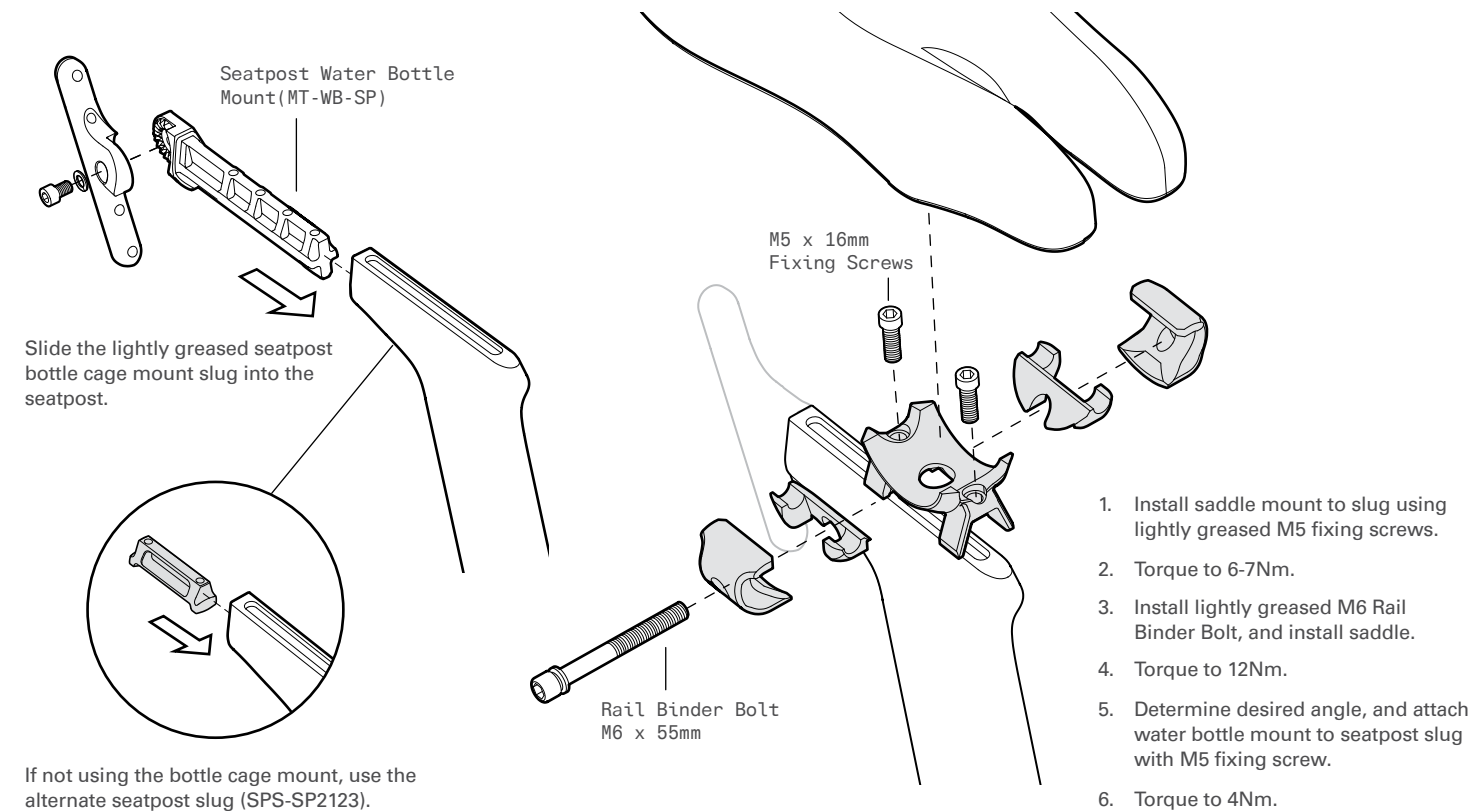
## TOP TUBE SMARTPAK INSTALLATION



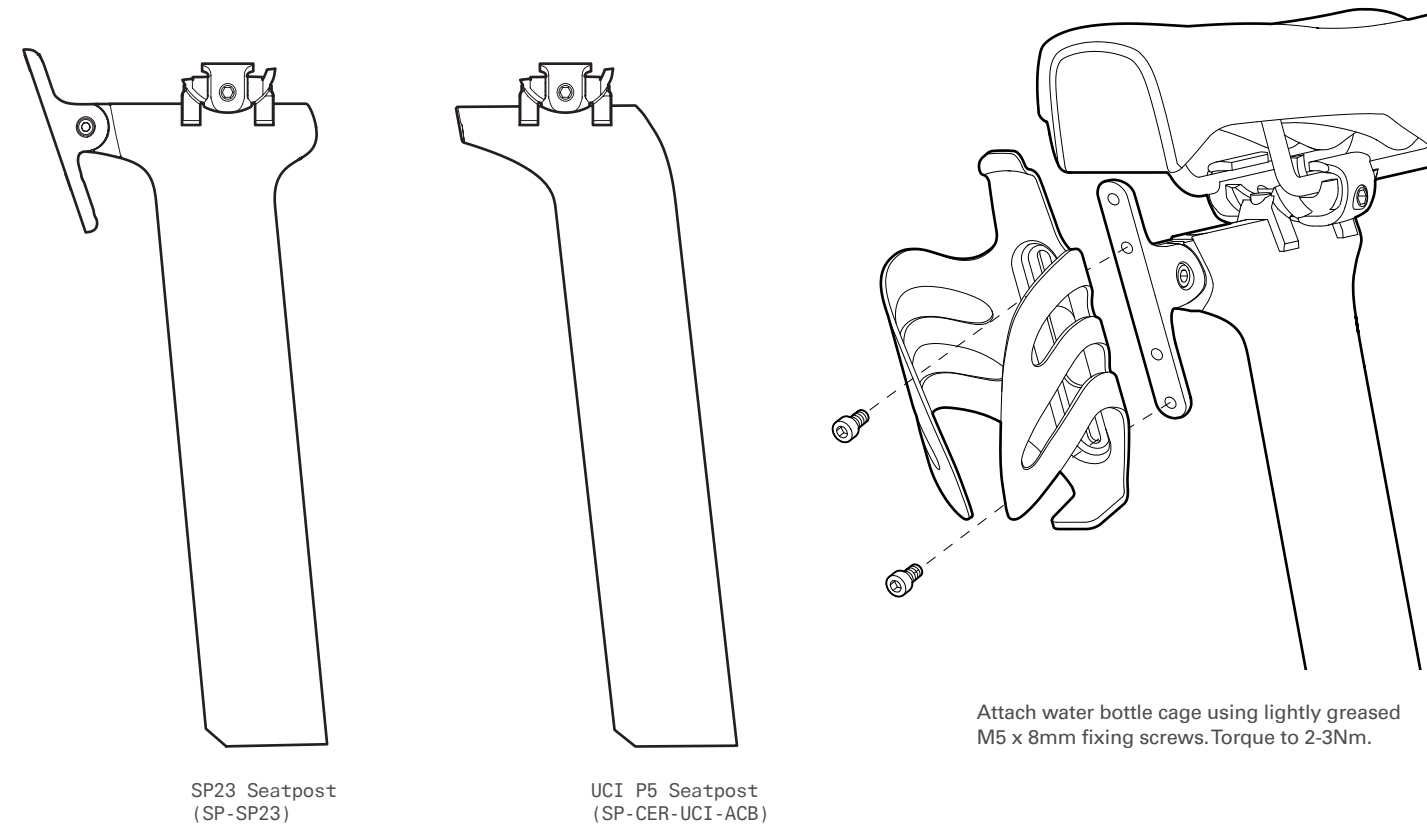
## STEM SMARTPAK INSTALLATION



## SEATPOST ASSEMBLY



## SEATPOST ASSEMBLY





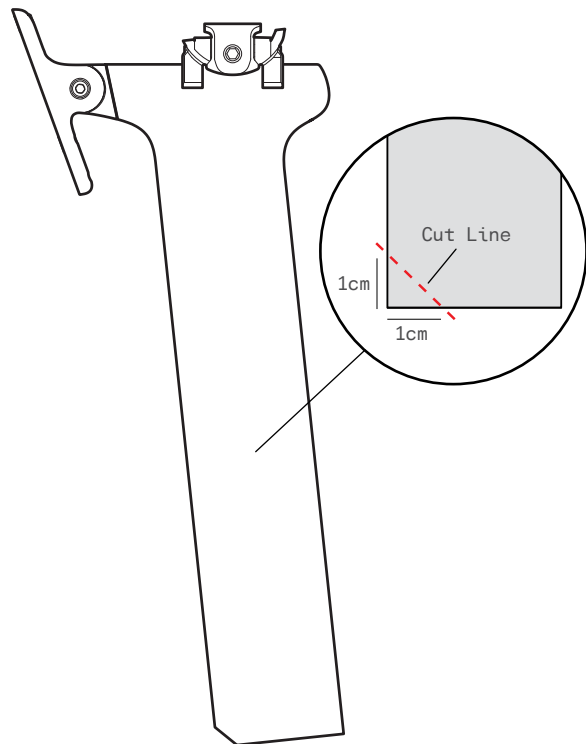
## SEATPOST CUTTING INSTRUCTIONS

**Note:** It is essential that all Cervélo Aero Seatposts, have a 45 degree chamfer cut on the rear trailing edge of the post. If trimming is required after fitting, the following method is recommended.

1. Taking care to maintain the minimum required seatpost insertion of 6.5cm and maximum of 8.5cm, carefully measure and use a light coloured grease pencil to accurately mark the cut-off location on the seatpost.
2. Insert the P Series Seatpost in the Park Tool SG-7.2 Saw Guide (or equivalent) so that the cut-off line can be seen clearly through the blade guide in the tool.
3. Using a blade designed specifically for cutting carbon composite materials (or a fine tooth blade with greater than 32 teeth per inch); proceed with cutting the Seatpost (as per Park Tool's instructions).
4. Use fine grit sandpaper to carefully remove any fraying or burring from the cut end. Reposition clamp approximately 10cm from the cut end.
5. With a grease pencil, mark a point 1cm from the cut end on the trailing edge of the Seatpost, and another 1cm from the back, on the bottom edge. Draw a line connecting them, forming a 45 degree guideline.
6. Placing the blade of your saw on the grease pencil mark, very carefully proceed to cut, resulting in a 45 degree chamfer being cut onto the trailing edge of the Seatpost.
7. Carefully sand the end and after applying carbon assembly compound, return to the frame.

### ⚠ WARNING

If trimming is required, final length should allow for a minimum 6.5cm of seatpost remaining in the frame. Failure to meet this requirement, may result in damage to the frame not covered by warranty policy, or serious injury to rider.

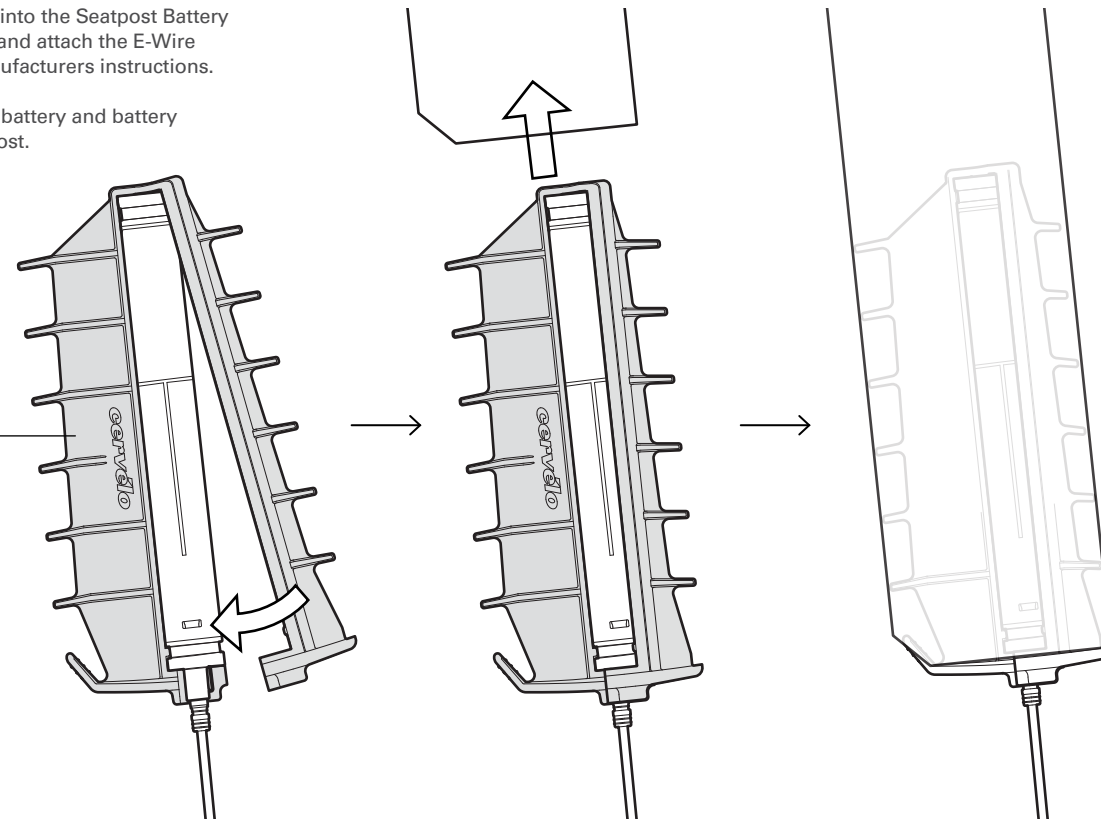


## SEATPOST DI2 BATTERY INSTALLATION

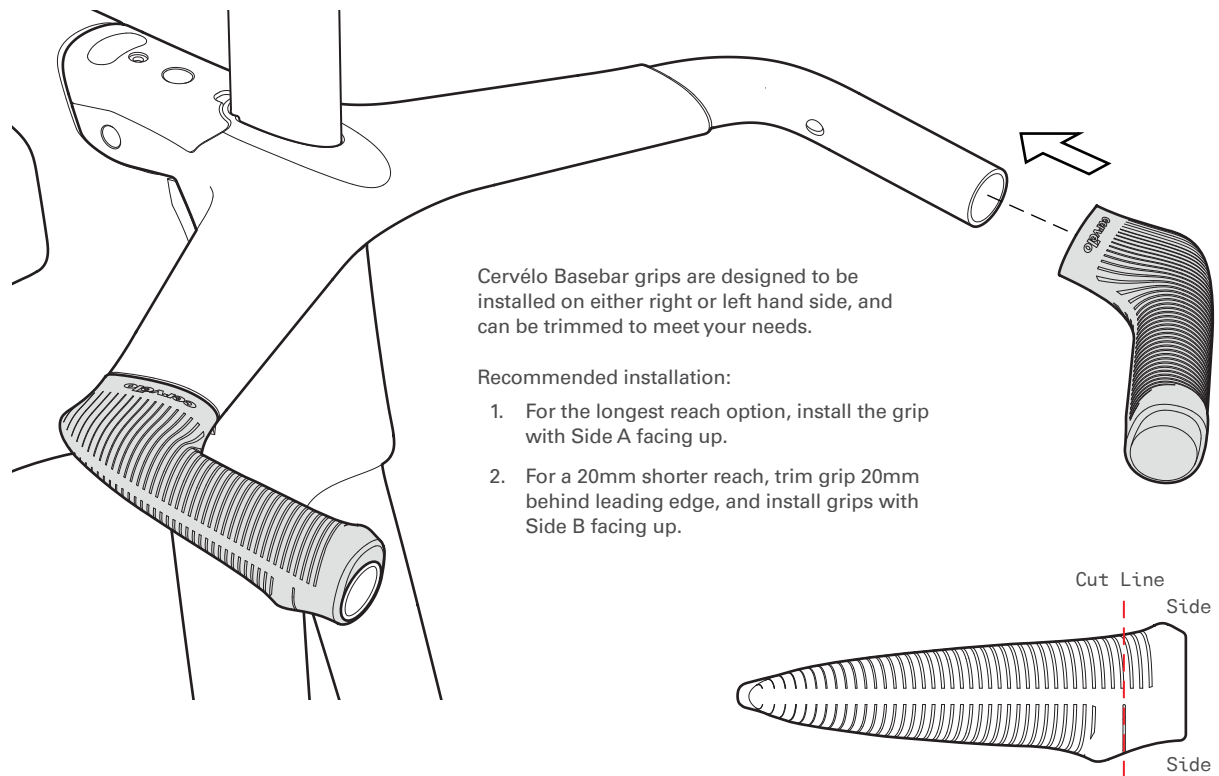
Press the Di2 battery into the Seatpost Battery Mount (MT-BINT-SP) and attach the E-Wire according to the manufacturers instructions.

Insert the assembled battery and battery mount into the seatpost.

P Series Seatpost Battery Mount (MT-BINT-SP)

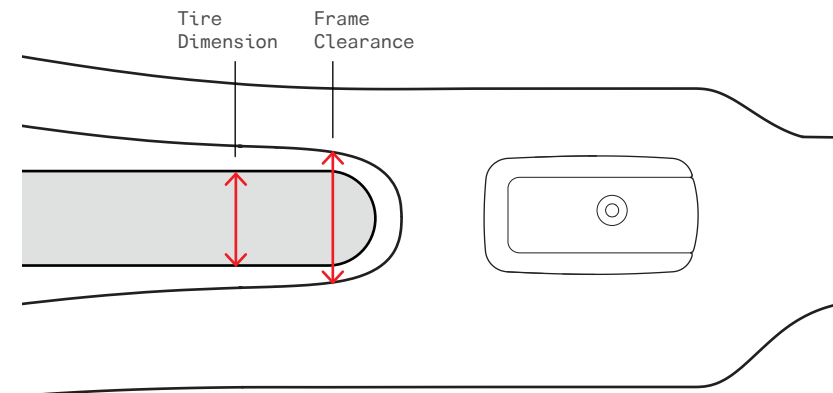


## BASEBAR GRIP INSTALLATION



## TIRE CLEARANCE

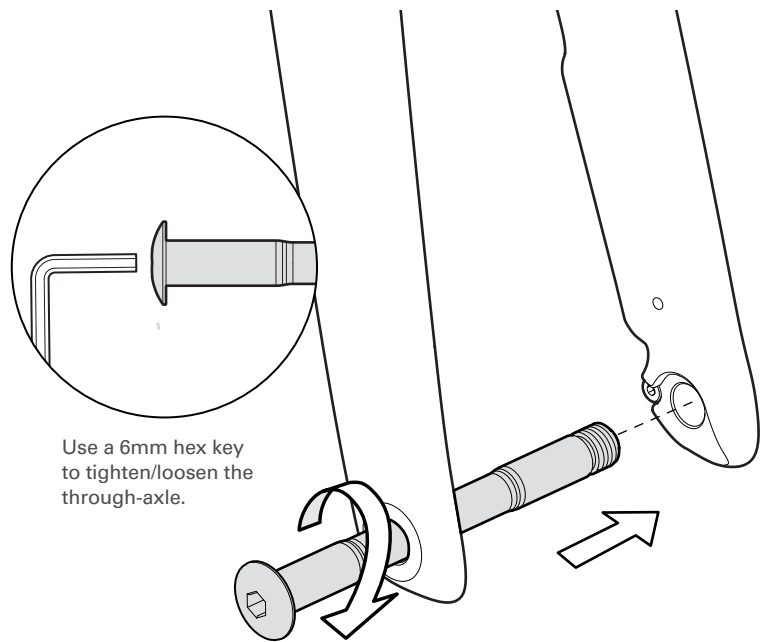
Your Cervélo bicycle complies with the ISO 4210-2:4.10.2 standard for tire clearance. In order to comply with these safety standards and maintain your Limited Lifetime Warranty, a minimum of 4mm of clearance must remain between the tire and any frame element. Due to the growing complexity of tire and rim interfaces, Cervélo recommends identifying the available space before choosing a tire.



1. Measure the space between the chainstays at the bottom bracket junction.
2. Measure the space between the seatstays at the top of the tire.
3. Using the smallest of those two numbers, subtract 8mm (4mm per side) to determine the remaining space.
4. With the tire installed and fully inflated on your wheel, measure the tire width to ensure that it fits.

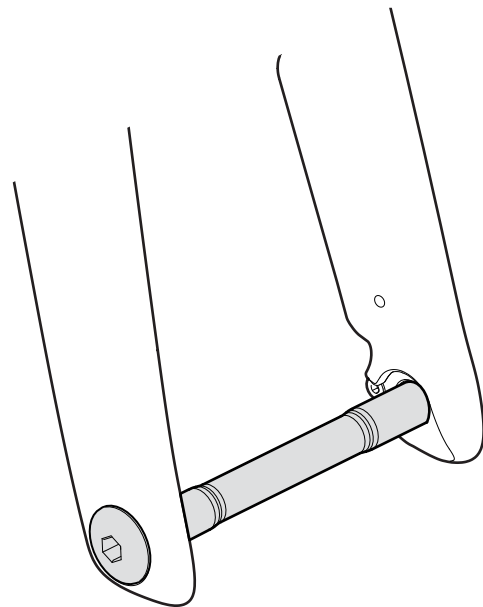
**⚠ WARNING**  
**Contact between the tire and the frame or fork may result in a loss of control while riding and potentially serious injury. Failure to follow these guidelines may result in damage to the frame not covered by Cervélo Limited Lifetime Warranty.**

## AERO THROUGH-AXLE WHEEL INSTALLATION



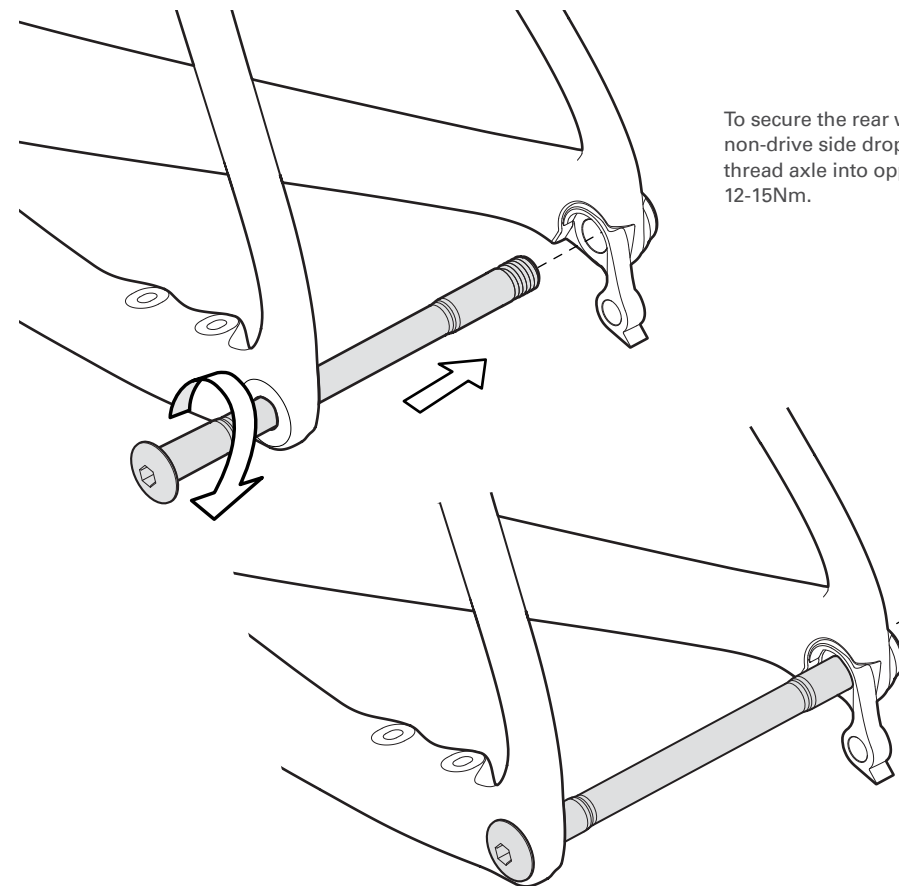
Use a 6mm hex key to tighten/loosen the through-axle.

To secure the front wheel, install the greased axle, through the drive side drop out, through the wheel hub, and rotate to thread axle into opposite fork drop out until tight. Tighten to 12-15Nm.

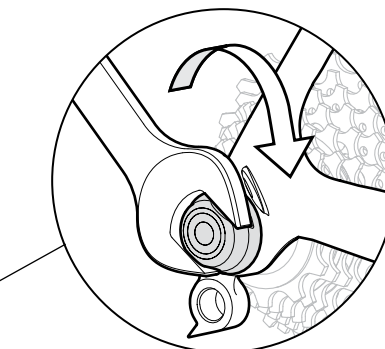


### **⚠ WARNING**

To ensure rider safety, it is critical to install the Cervélo Aero Through-Axle correctly. Failure to do so may result in a crash, with potential for serious injury to the rider.



To secure the rear wheel, install the greased axle, through the non-drive side drop out, through the wheel hub, and rotate to thread axle into opposite fork drop out until tight. Tighten to 12-15Nm.



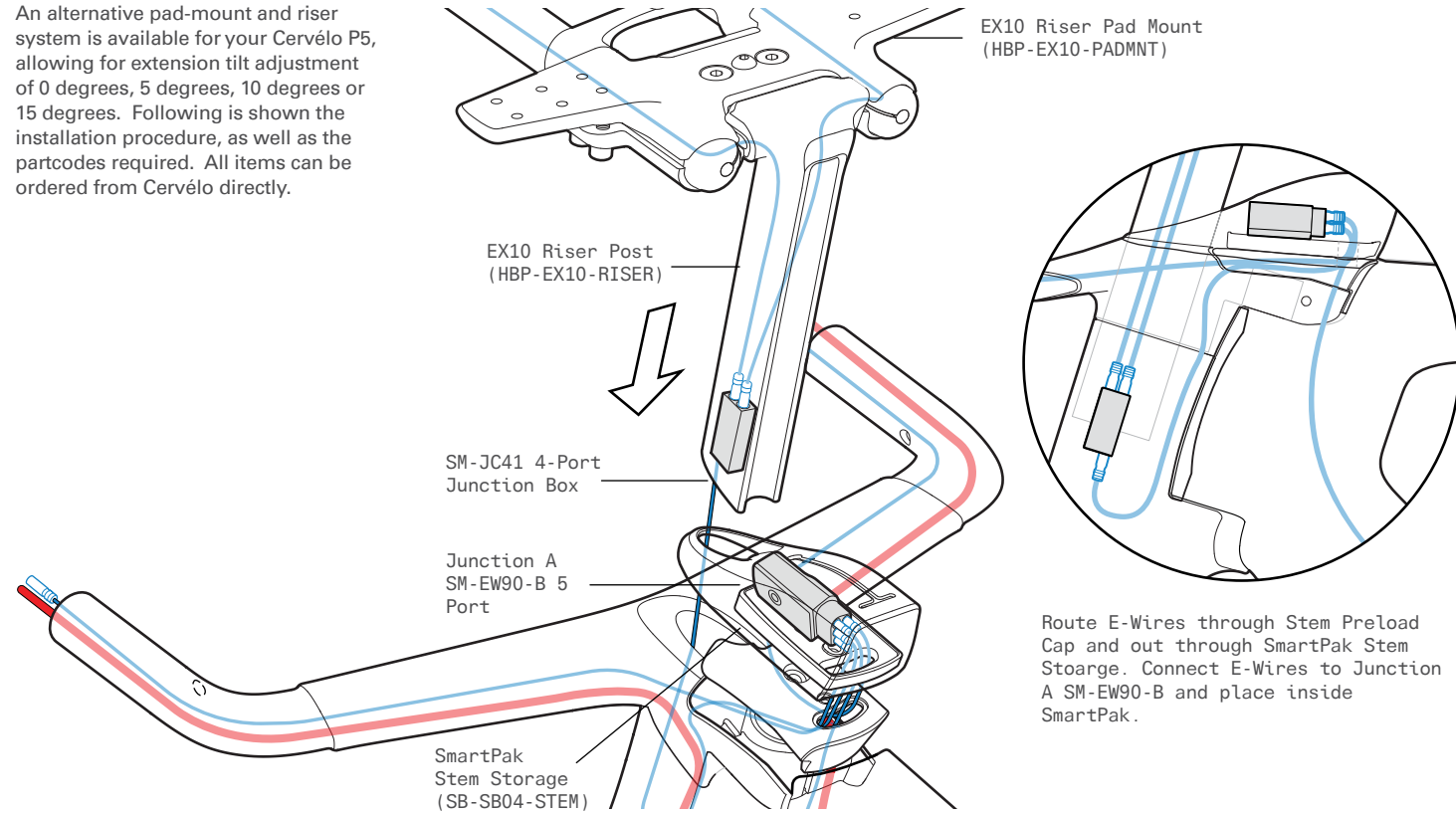
Perform final tightening on Rear Derailleur Hanger Fixing Nut using a 17mm wrench. This action is unique to initial assembly, and should not require adjustment afterwards.

### **⚠ WARNING**

Adjust brakes as per manufacturer's instructions. Adjust shifting as per manufacturer's instructions.

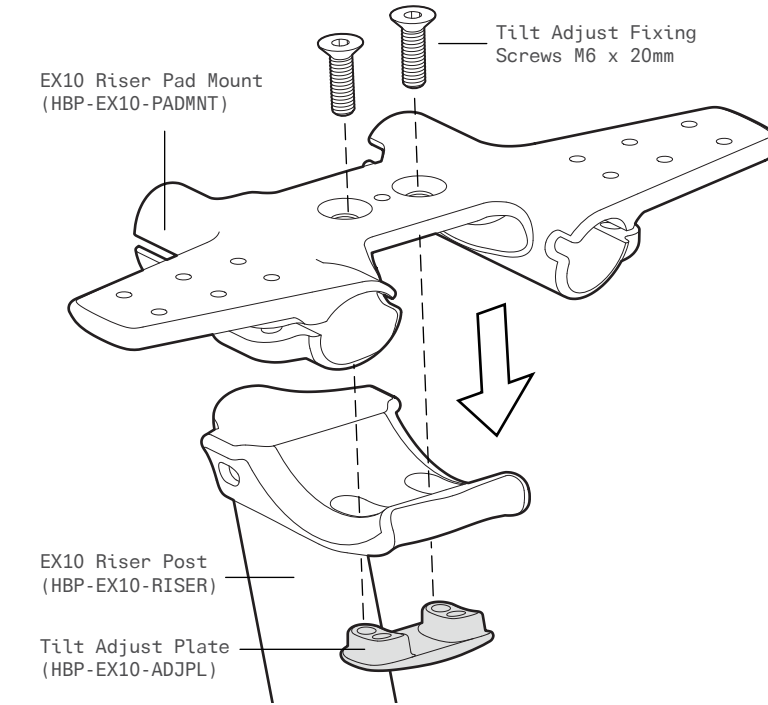
## APPENDIX: EX10 RISER

An alternative pad-mount and riser system is available for your Cervélo P5, allowing for extension tilt adjustment of 0 degrees, 5 degrees, 10 degrees or 15 degrees. Following is shown the installation procedure, as well as the partcodes required. All items can be ordered from Cervélo directly.

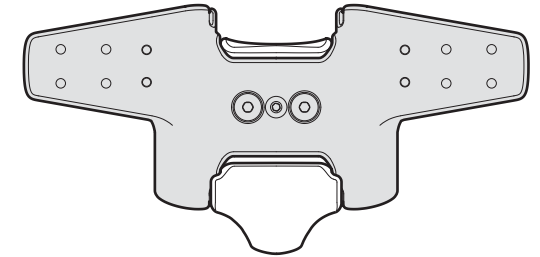


## EX10 RISER ASSEMBLY

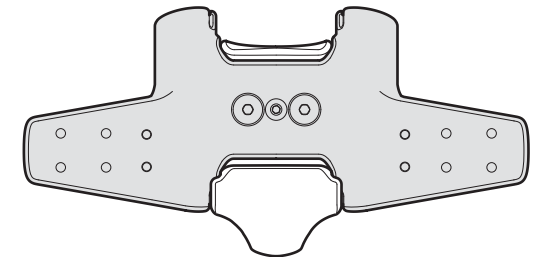
Attach Riser Pad Mount and Riser Post to Tilt Adjust Plate using two lightly greased M6 fixing screws. Torque to 6Nm.



The Riser Pad Mount can be attached in two positions:



Forward Position

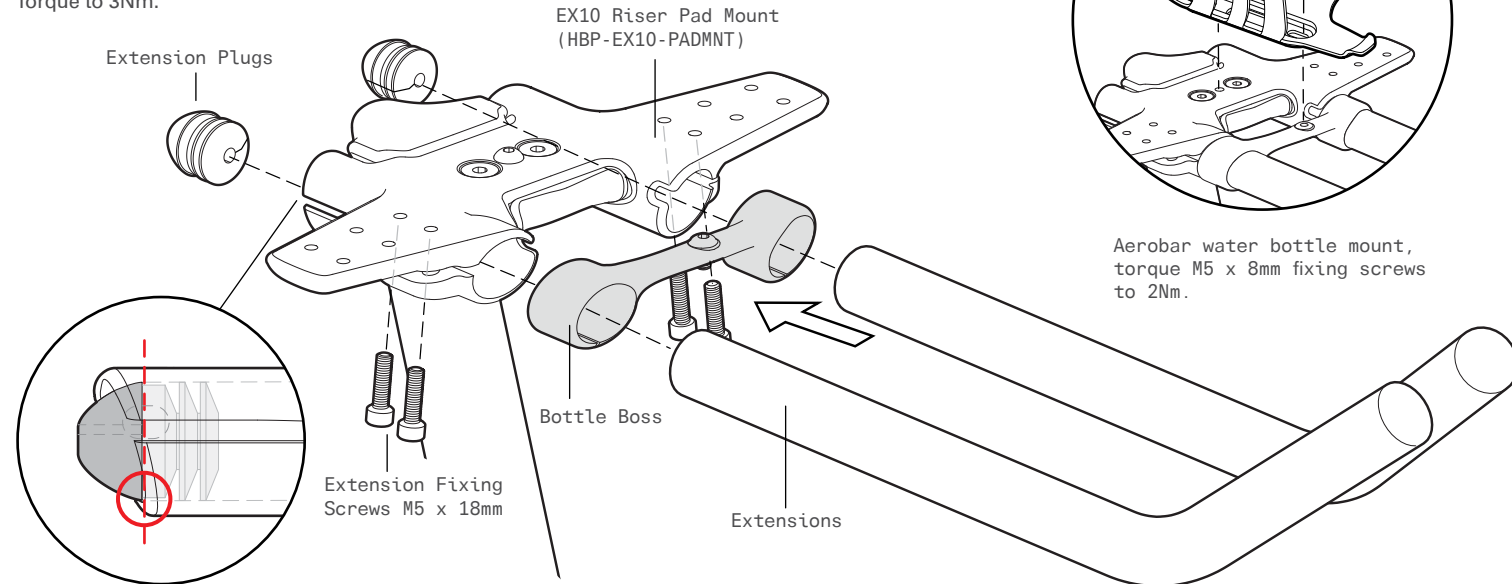


Setback Position

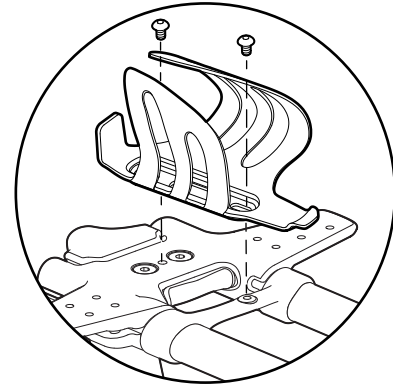
# EX10 EXTENSION ASSEMBLY

**NOTE:** This diagram is for assembly reference only. During complete assembly, hoses and control cables will be present.

Install and adjust extensions.  
Torque to 3Nm.



Extensions should be flush with bottom edge Riser Pad Mount for internal Di2 routing.

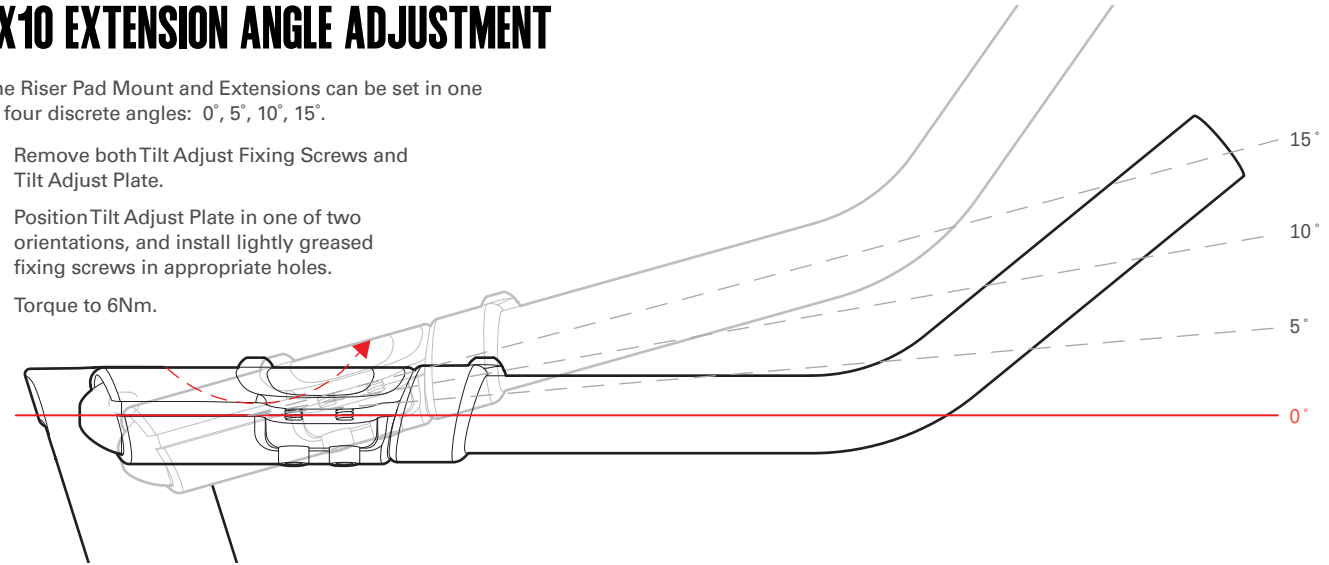


Aerobar water bottle mount, torque M5 x 8mm fixing screws to 2Nm.

# EX10 EXTENSION ANGLE ADJUSTMENT

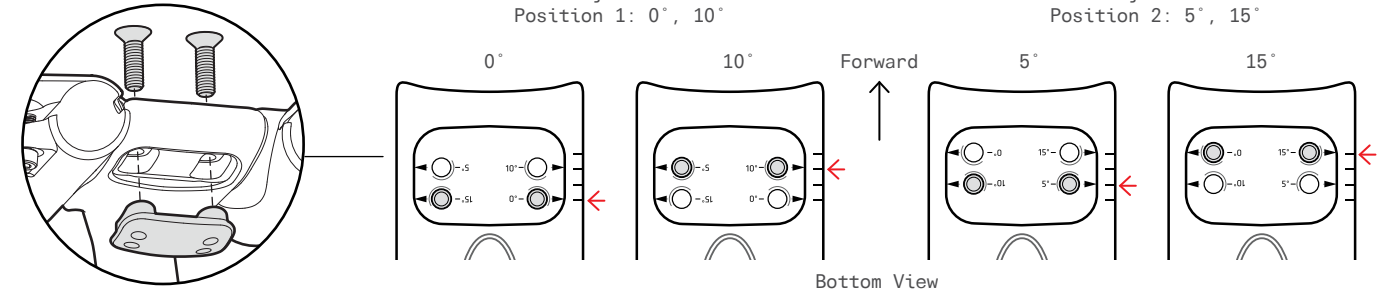
The Riser Pad Mount and Extensions can be set in one of four discrete angles: 0°, 5°, 10°, 15°.

1. Remove both Tilt Adjust Fixing Screws and Tilt Adjust Plate.
2. Position Tilt Adjust Plate in one of two orientations, and install lightly greased fixing screws in appropriate holes.
3. Torque to 6Nm.



Tilt Adjust Plate Position 1: 0°, 10°

Tilt Adjust Plate Position 2: 5°, 15°



# *2019 P5 RETAILER ASSEMBLY MANUAL*

CER-P5D-V1.1 2019-01-30

[www.cervelo.com](http://www.cervelo.com)

# cervelo